

Bloom Infinity Series | Everlast Delay Effects Pedal

User Manual





CONTENTS

1. Introduction	- 1 -
2. Highlights	- 2 -
3. Knobs and Switches	- 3 -
Hidden Parameters.....	- 4 -
4. REAR PANEL I/O	- 6 -
5. Signal Path	- 7 -
Configuring the In/Out Settings.....	- 7 -
6. Description of the LED Button	- 9 -
What the LED Colors Mean.....	- 9 -
What the Button Can Adjust.....	- 9 -
7. Tap Tempo	- 10 -
8. Ramp	- 11 -
Ramp Modes.....	- 11 -
9. Power-Up Modes	- 12 -
Bypass & Trails Modes.....	- 12 -
Stereo Outputs Setting.....	- 12 -
Ramp Lock.....	- 12 -
LED Brightness.....	- 12 -
10. External Control	- 13 -
Connection & Activation.....	- 13 -
External Footswitch Compatibility.....	- 13 -
Expression Pedal Compatibility.....	- 13 -
11. Specifications	- 14 -



1. Introduction

Thank you for choosing the Everlast Delay by Klowra. Everlast Delay is a stereo delay pedal featuring nine high-quality delay types, including classic analog emulations, versatile digital delays, and modern, inspiring echoes. Powered by a refined algorithmic engine, it offers open parameter control and dynamic modulation for a wide range of creative applications.

Equipped with the Bloom Infinity Series-exclusive Ramp function and Tap Tempo, Everlast Delay offers dynamic, expressive control. Connect an expression pedal or footswitch to unlock even more creative possibilities. With Analog Dry-Through, selectable True or Buffered Bypass, and multiple stereo output modes—including True Stereo and Ping-Pong—Everlast ensures tonal integrity and adaptability across a wide range of performance and studio scenarios.



2 Highlights

- **Bloom Infinity Series** - Original artist hand-painted silkscreen artwork, with individual model stories and concepts, all strung together into a cohesive product line.

- **9 Studio-Quality Delay Types** - From studio-quality delays to crystal-clear echoes, *Everlast* unlocks dreamy effects for crafting genre-defying sonic landscapes.

- **Tap Tempo** - Tap Tempo provides real-time control of the TIME parameter, syncing precisely to your BPM. Rhythmic subdivisions of delay include quarter note, dotted eighth note, or eighth-note triplet.

- **Delay Time** - Adjusts delay time from 20ms to 1200ms for precise rhythmic control.

- **Ramp** - The Ramp function provides linear parameter variation, controlling the fading back and forth between settings to create a dynamic, evolving effect.

- **External Control** - You can use an external TS/TRS footswitch and expression pedal for multifunctional continuous control.

- **Analog Dry Through** - Keeps the dry signal analog, never converting it to digital, while mixing with the wet signal.

- **Multiple Stereo Outputs** - Ping-Pong mode, Dry/Wet Separation and True Stereo Outputs.

- **Bypass Modes** - Switchable True Bypass (trail off) and Buffered Bypass (trail on), with Analog Dry Through.

- **WildSeed Engine** - Class-leading sound quality with 24-bit AD/DA and 32-bit DSP floating-point processing.

- **Material** - Made from sturdy aluminum alloy, this pedal is designed to withstand the rigors of daily use.



3. Knobs and Switches

TIME

Set the delay time, you can adjust the length of the delay from 50ms to 1200ms.

REPEAT

Adjust the number of delay repetitions, Go from one repeat at full counterclockwise, to near infinite at full clockwise.

MIX

Controls the mix between the dry and wet signals. At the minimum, it outputs full dry signal; at the maximum, it outputs full wet signal with no dry signal. A 50/50 mix occurs around 2 o'clock on the knob.

DELAY SELECT

TAPE - Inspired by vintage tape echoes, this mode blends modern digital tech to expand sound options. It replicates classic tape effects like limited frequency range, compression/saturation, motor drift, and tape flutter.

DIGITAL - This Hi-Fi delay mode delivers clean, accurate sound. Use the Texture knob to add vibrato effects ranging from smooth to gritty, boosting texture and movement in your audio

ANALOG - Unlike digital delay, this mode delivers warm, organic echoes. It mimics analog imperfections like subtle degradation, compression, and clock-drift noise. Adjust the Texture knob to blend in chorus-like textures and amplify the wobbly, drifting character of vintage gear.

REVERSE - This reverse mode crafts surreal guitar tones. Unlike basic signal flipping, it uses smart processing to tighten and shape the reversed sound musically. Twist the Texture knob to add fluttery vibrato—ideal for dreamy atmospheres or mysterious, ambient vibes.

SWELL - This mode crafts ambient pads using guitar volume swells, capturing only the fading harmonics while keeping the dry signal crisp. The Texture knob shapes the decay's distortion intensity, morphing textures from dreamy washes to eerie, haunting tones.

GRANULE - This mode splits the input into audio grains, applies real-time pitch-shifting and rearranging, then feeds them into the delay line. The Texture knob adjusts both delay modulation and grain size: turn counterclockwise for glitchy textures (small grains) or clockwise for shimmering effects (large grains), offering a dynamic range from chaotic glitches to ethereal soundscapes.



CRYSTAL - This mode evokes the sound of light refracted through glass—each repeat shimmers upward like a glint of sunlight on ice, layering your guitar with an airy, celestial glow. Its pitch-shifted echoes drift through space like sonic prisms, perfect for painting cinematic soundscapes, ambient swells, and post-rock textures that feel both otherworldly and infinite.

SWEEPER - This mode blends a CRY BABY-style resonant low-pass filter with sine-wave modulation for vintage tones. The TONE knob sets the sweep's base frequency (clockwise raises pitch), while Texture knob adjusts sweep width and speed. Combine both to craft synth-like atmospheric delays with retro-modern textures.

MOD - This mode washes each echo in gentle ripples, like sound waves drifting through liquid. By weaving subtle chorus or vibrato into the repeats, it transforms sterile delays into lush, breathing textures—swirling with warmth, movement, and a touch of vintage soul.

TEXTURE

Adjusts the texture of the delay reflections. Turning the control to the right softens the early reflections and produces a smooth onset of the delay.

TONE

Controls the brightness of the wet signal. Turn left to darken the repeats for a mellow, analog-like tone, or right to brighten them for more presence and clarity.

Footswitch

Control ON/OFF. Press&Hold to trigger **Tap tempo** or **Ramp**.

*Refer to the ***Tap Tempo*** or ***Ramp*** section for details.*

The LED Button

Lit when active, pressed or in combination with other knobs to adjust various functions and Hidden Parameters.

Hidden Parameters

◆ Rhythm

Tap Tempo supports three rhythmic subdivisions. Select the desired subdivision by rotating the knob:

- Quarter-note: Turn the knob **fully counterclockwise (leftmost position)**.
- Dotted eighth-note: Set the knob to the **12 o'clock position**.
- Eighth-note triplet: Turn the knob **fully clockwise (rightmost position)**.



◆ **RampATK**

Controls the attack time of the Ramp modulation, determining how quickly the fade reaches the **Snap-Set**. A shorter attack time results in a quicker transition to the **Snap-Set**, while a longer attack time creates a smoother, more gradual fade.

◆ **RampRLS**

Controls the release time of the Ramp modulation, determining how gradually the transition fades back to the **Panel-Set**. A shorter release time results in a quicker return to the **Panel-Set**, while a longer release time provides a more drawn-out, fluid return to the **Panel-Set**.

*For adjustments to Hidden Parameters, please refer to the ***Description of the LED Button*** section.*



4. REAR PANEL I/O

9V DC

Connect to a 9V DC power supply with a center-negative polarity and a minimum current rating of 250mA.

Note: If the power supply is insufficient, the pedal may malfunction.

IN L (Mono)

1/4" mono (TS) unbalanced left input for mono setups.

IN R (Stereo)

1/4" mono (TS) unbalanced right input for mono setups.

OUT L (Mono)

1/4" mono (TS) unbalanced left output for mono setups.

OUT R (Stereo)

1/4" mono (TS) unbalanced right output for stereo setups.

Ctrl

1/4" stereo (TRS) balanced input for connecting an expression pedal or external footswitch.

*Note: Please refer to the ***External Control*** section for information on how connection is recognized.*



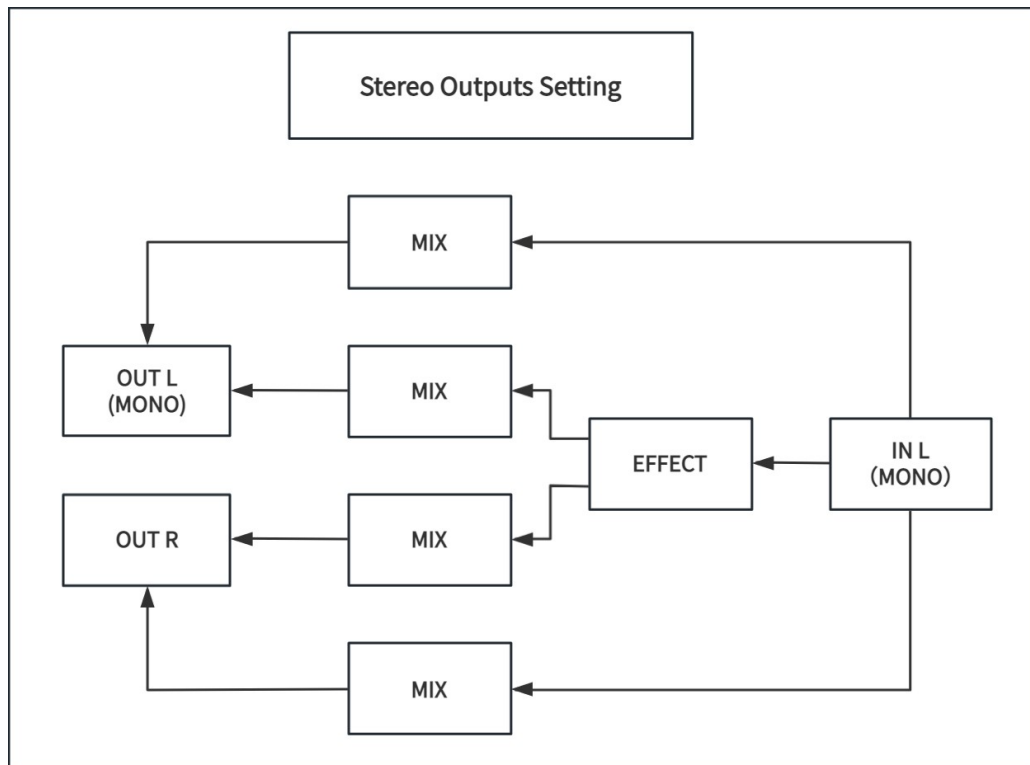
5. Signal Path

Configuring the In/Out Settings

1-in, 1-out:

- Mono input with mono output. The dry and wet signals are mixed together in the mono output.
- In the **Ping-pong Stereo mode**, the **IN L** is connected and the output is connected to **OUT R**, it will activate the Long Delay mode. In this mode, the **TIME** parameter range will change from 50-1200ms to 100-2400ms.

1-in, 2-out

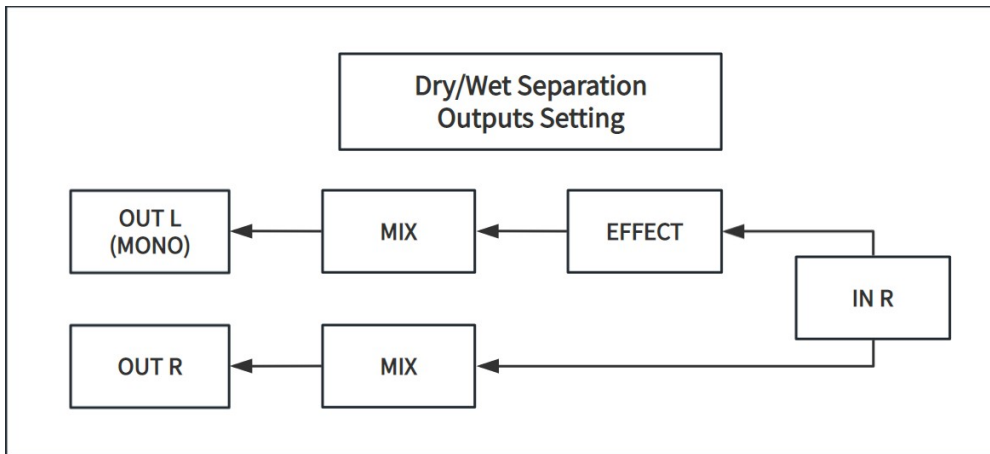


- For the **IN L**, the dry and the wet sounds are mixed when stereo output.
- In the **Ping-pong Stereo mode**, for the **IN L**, the dry and the wet sounds mixed are bounce or "ping-pong" between **OUT L&R**.

***Ping-pong Stereo Mode :**

*The wet signal bounces between the left and right channels, creating a wide, Rhythmic stereo effect. This alternating movement adds depth and motion, making the delay feel spacious, immersive, and alive in the mix.**

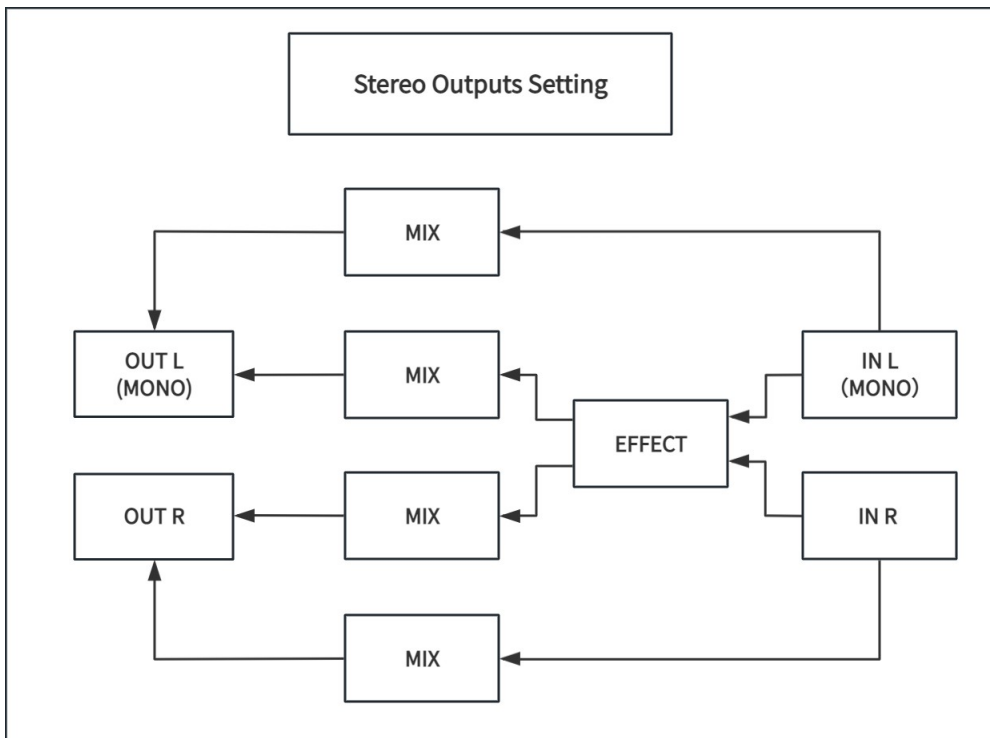
*To select **Ping-pong Stereo mode**, see the ***Power-Up Modes*** section.*



- **Dry/Wet Separation stereo output:** For the **IN R**, **OUT R** carries the dry signal; **OUT L** carries the wet signal.

Dry/Wet Separation stereo output allows a guitar signal to be split into two distinct paths: one carrying the unaffected (dry) sound, and the other carrying the processed (wet) effect signal. This configuration offers a range of creative and practical applications, particularly useful for live performances, studio setups, and advanced signal routing.

2-in, 2-out



For the **IN L&R**, the dry (direct) and wet (delay) sounds are mixed when **OUT L&R**.



6. Description of the LED Button

The LED Button is the heart of the Everlast.

You can determine the current operating status of the Everlast by observing the color of the LED button. The LED button can be pressed briefly or in combination with other knobs to adjust various functions or parameters.

Learning to interpret the LED colors and understanding the different ways the button can be pressed are essential for familiarizing yourself with the Everlast's operation.

What the LED Colors Mean

- ◆ **White:** Tap tempo function active;
- ◆ **Blue:** Tap tempo is actively being triggered.
- ◆ **Orange:** Ramp function active;
- ◆ **Violet:** Ramp is actively being triggered.

What the Button Can Adjust

- ◆ **Toggle the Tap tempo or Ramp**
Press once to switch between **Tap tempo** and **Ramp**.
- ◆ **Save Snap-Set**
Press&Hold to save the current parameter settings as **Snap-Set**.
The LED blinks **violet** to confirm.
- ◆ **Adjustment of Hidden Parameters**
Press&Hold while rotating the knob above the **hidden parameters**.
Successful adjustment is indicated by the LED blinking **yellow**.



7. Tap Tempo

Press&Hold the footswitch while the LED is **white, until the LED turns **blue**, indicating the entry into **Tap Tempo**.**

Tap Tempo allows you to set the delay time (**TIME**) in real time by tapping the footswitch in rhythm with your music. This feature synchronizes the delay repeats with your playing, delivering a precise, groove-locked response that enhances rhythmic clarity and feel.

You can enter **Tap Tempo** mode directly from the main operation. After tapping, the system automatically exits the mode if no input is detected within 5 seconds.

- How to use Tap Tempo

- (1) **Press and hold the footswitch** while the LED is **white**.
- (2) **Wait for the LED to turn blue**, indicating that Tap Tempo mode is active.
- (3) **Tap the footswitch repeatedly** in time with your desired tempo. Each tap adjusts the delay time to match the BPM.
- (4) **After 5 seconds of inactivity**, the LED will return to white, and the pedal will automatically exit Tap Tempo mode.

Rhythm Subdivisions:

The Tap Tempo supports multiple rhythmic divisions for versatile delay timing:

- Quarter-note: Turn the knob **fully counterclockwise (leftmost position)**.
- Dotted eighth-note: Set the knob to the **12 o'clock position**.
- Eighth-note triplet: Turn the knob **fully clockwise (rightmost position)**.

These subdivisions allow you to shape the delay's rhythmic feel, from tight, on-the-beat echoes to syncopated, atmospheric textures.

*For Rhythm adjustment, please refer to ***Description of the LED Button*** section.*



8. Ramp

Press and hold the footswitch while the LED is **orange. When the LED turns **violet**, you've entered **Ramp**.**

Ramp allows for smooth, dynamic transitions between two sets of parameters:

- ◆ **Panel-Set**—Your current front-panel parameter settings.
- ◆ **Snap-Set**—A saved set of parameters stored using the LED button.

This feature creates expressive, evolving fades that add depth, movement, and emotion to your sound. The speed and character of the transition are defined by two parameters:

RampATK (Attack Time):

Controls how quickly the effect fades from the **Panel-Set** to the **Snap-Set**.

- A shorter attack gives a fast, sharp transition.
- A longer attack creates a smoother, more gradual fade.

RampRLS (Release Time):

Controls how quickly the sound returns from the **Snap-Set** to the **Panel-Set**.

- A shorter release results in a quick recovery.
- A longer release provides a more drawn-out, fluid return.

Ramp Modes

Ramp supports two switching modes - **Momentary** and **Latched**—giving you flexibility to match your performance style.

Momentary Mode:

Press&Hold the footswitch to fade into the **Snap-Set** over **RampATK** time. Release the footswitch to return to the **Panel-Set** over **RampRLS** time.

Latched Mode:

Press once to transition to the **Snap-Set (RampATK)**, and press again to return to the **Panel-Set (RampRLS)**.

*To select between Momentary and Latched modes, see the ***Power-Up Modes*** section.*



9. Power-Up Modes

How To enter Power-Up Modes

Press & hold the footswitch while powering on the pedal. A flashing LED indicates successful entry.

Once your settings are configured, short-press the footswitch again to exit **Power-Up Modes**.

In this mode, you can adjust the following settings:

Bypass & Trails Modes

Switch between modes by short-press **the LED button**.

◆ True Bypass

The signal is routed directly through the pedal with no buffering or coloration.
LED Green flashes to indicate True Bypass mode.

◆ Buffered Bypass(Trails on)

The signal is routed through a buffer with **Analog Dry Through**, allowing delay trails to continue after the effect is bypassed.
LED Red flashes to indicate Buffered Bypass mode.

Stereo Outputs Setting

Select by rotating the **TIME** knob.

- Turn fully left for **True Stereo** (LED flashes **yellow** 3x).
- Turn fully right for **Ping-pong Stereo** (LED flashes **blue** 3x).

Ramp Lock

Select by rotating the **REPEAT** knob.

- Turn fully left for **Momentary** (LED flashes **yellow** 3x).
- Turn fully right for **Latched** (LED flashes **blue** 3x).

◆ Momentary:

Hold the footswitch to transition to **Snap-Set** over **RampATK** time. Release to return to the current set over **RampRLS** time.

◆ Latched:

The first press transitions to **Snap-Set** over **RampATK** time. The second press returns to the current set over **RampRLS** time.

LED Brightness

Adjust by rotating the **TONE** knob.

- Turn fully left for dimmest.
- Turn fully right for brightest.



10. External Control

Connection & Activation

When connecting an **external TS/TRS footswitch or expression pedal**, the LED indicator will flash red. Trigger the footswitch or pedal repeatedly during this state. Once the connection is successfully recognized, the Everlast will return to normal operation.

Note: If the External Control is not fully activated, it may result in limited functionality.

External Footswitch Compatibility

When connecting an external TS/TRS footswitch, there are two specific functional settings, depending on the color of the LED indicator:

- ◆ **LED White** - The current footswitch-specific function is **Tap Tempo**.
 - **TS/RS Footswitch** : Momentary triggers Ramp.
 - **TRS Footswitch**:
 - Tip Position: Momentary triggers Ramp.
 - Ring Position: Momentary triggers Tap Tempo .

- ◆ **LED Orange** - The current footswitch-specific function is **Ramp**
 - **TS/RS Footswitch**: Momentary triggers Tap Tempo.
 - **TRS Footswitch**:
 - Tip Position: Momentary triggers Ramp.
 - Ring Position: Momentary triggers Tap Tempo .

Expression Pedal Compatibility

When an expression pedal is connected, it takes direct control over the Ramp by blending between the **Panel-Set** and **Snap-Set**. In this mode:

- ◆ The **RampATK** and **RampRLS** parameters are disabled.
- ◆ Ramp cannot be triggered by Press&Hold the footswitch.
- ◆ The expression pedal locks the Everlast into **LED White (Tap Tempo active)**, and mode switching to **LED Orange (Ramp active)** is disabled.



11. Specifications

Inputs	2 x 1/4"TS Instrument jacks	Outputs	2 x 1/4"TS Instrument jacks
Input Impedance	500k Ohm	Output Impedance	100 Ohm
A/D & D/A	24 Bit 44.1K Hz	Max Input Level	+10 dBu
Power Source	9V DC power supply required	Current	250mA
External Control	TS/TRS Momentary footswitch, or TRS expression pedal	Bypass Mode	Switchable: True Bypass, Buffered Bypass(Analog Dry-Through)
Hardware Interface	USB-C	Dimensions	54.7mm H x 124.8mm D x 69.2mm W(2.0"H x 4.9"D x 2.7"W)



Where Every Tone Blooms.