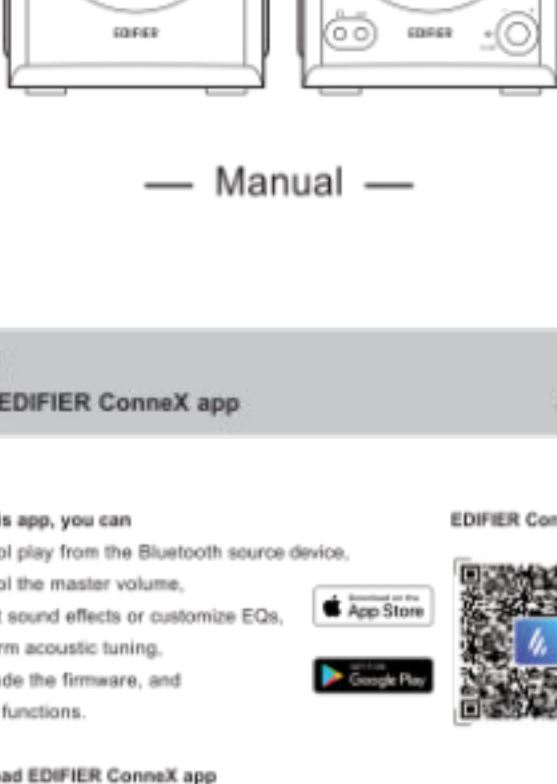


MR5 Studio Monitor



— Manual —

EN

1. EDIFIER ConneX app

EDIFIER ConneX app

With this app, you can

- control play from the Bluetooth source device,
- control the master volume,
- select sound effects or customize EQs,
- perform acoustic tuning,
- upgrade the firmware, and
- more functions.



Download EDIFIER ConneX app

1. With your smart device, scan the QR code on the quick start guide or the packaging.

- You can also search for "EDIFIER ConneX" in Apple App Store (iOS devices) or Google Play (Android devices).

2. Download and install the app.

How to use this app

1. Connect your smart device with the speaker via Bluetooth.
2. In Bluetooth mode, open EDIFIER ConneX App on your smart device.
3. Tap the menu for settings and playback control.

2. What's in the box?



Passive speaker

Active speaker



Speaker connecting cable



3.5 mm to RCA audio cable



3.5 mm to 3.5 mm audio cable



Power cable



Quick start guide

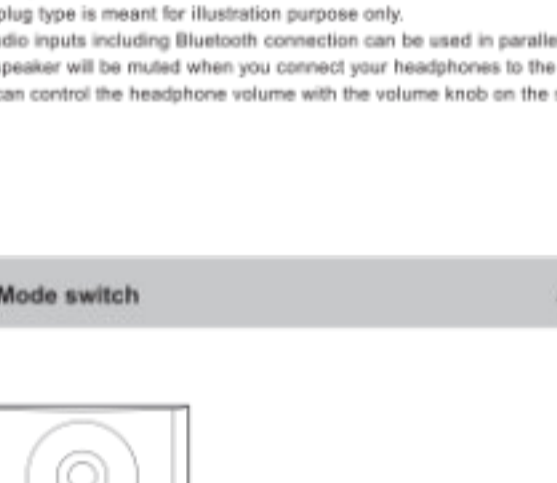
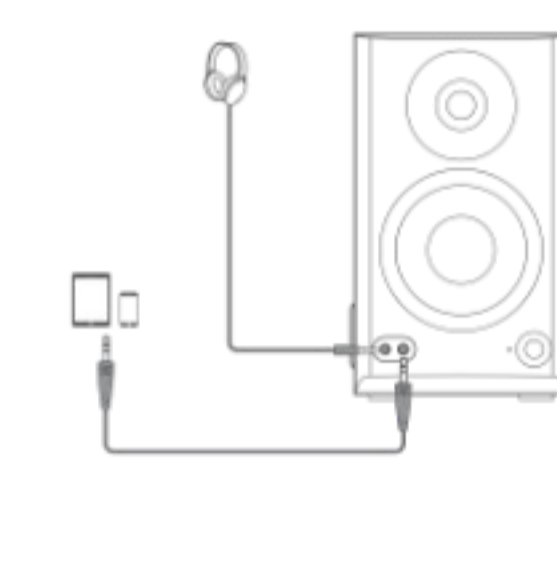


Important safety instructions

Note:

- Images are for illustrative purpose only and may differ from the actual product.
- For the need of technical improvement and system upgrade, information and specifications contained herein may be slightly different from actual product. If any difference is found, the actual product prevails.

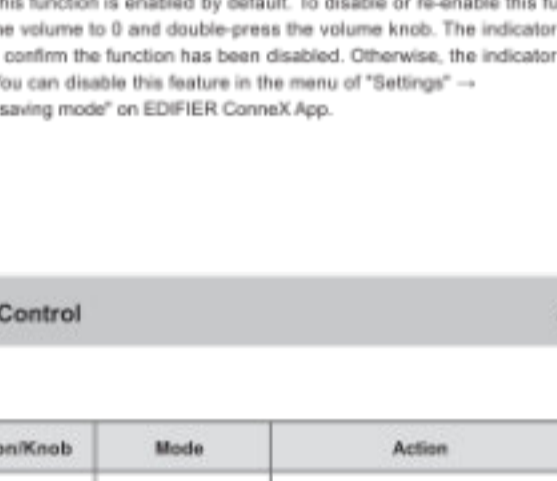
3. Cable connection



Note:

- Power input: 100-240 V~ 50/60 Hz 700 mA
- This plug type is meant for illustration purpose only.
- All audio inputs including Bluetooth connection can be used in parallel.
- The speaker will be muted when you connect your headphones to the 3.5mm port. You can control the headphone volume with the volume knob on the speaker.

4. Mode switch



Note:

- Press and hold the "M" knob to switch the speaker between work mode and standby mode.

5. Control

Button/Knob	Mode	Action
	Work mode	Press to switch sound effects.
	Work mode	Rotate clockwise to increase volume.
	Work mode	Rotate counterclockwise to decrease volume.
	Bluetooth device connected	Press and hold to disconnect the current Bluetooth device and switch the speaker to Bluetooth pairing mode.
	Bluetooth hidden mode	Press to exit Bluetooth hidden mode and enter Bluetooth pairing mode.

Note:

- Volume sync is not supported. To adjust the volume, adjust on the speaker and your device separately.

6. Indicator status

Indicator status	Speaker status
Solid red	Monitor sound effect
Solid green	Music sound effect
Solid white	Customized sound effect
Blinking	Bluetooth pairing mode
Blinking and then in solid	Bluetooth device connected
Blinking in red and green	Upgrading the firmware

7. Bluetooth connection



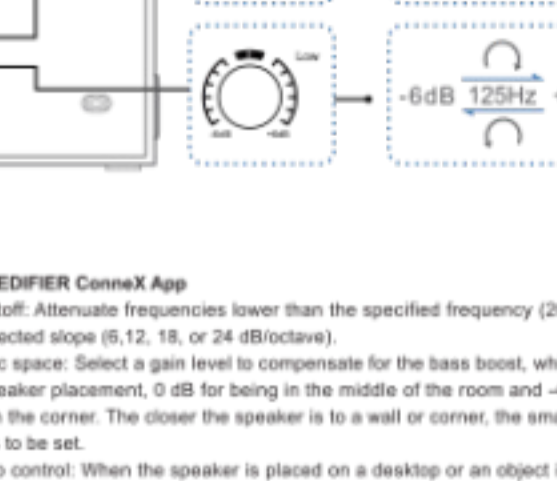
Note:

- This speaker supports the simultaneous connection of two Bluetooth devices.
- Pin code for connection is "0000" if needed.
- To enjoy all Bluetooth functions of this product, make sure that your audio source device supports A2DP and AVRCP profiles.
- If no device is connected in 3 minutes, the speaker will switch to Bluetooth hidden mode. In this mode, (1) new devices cannot find the speaker, but (2) for a device that exists in the pairing record of this speaker, you can select "EDIFIER MRS" from its Bluetooth device list to reconnect. To exit from Bluetooth hidden mode, press the "M" button on the speaker.
- To disconnect from the current Bluetooth device, press and hold the "M" button on the speaker for 1.5 seconds.
- After switched to Bluetooth input, the speaker will reconnect to the last connected devices automatically.

8. Acoustic tuning

Note:

- By the speaker knobs
- "High" knob: Turn the knob to boost or cut high frequencies above 10 kHz by ±6 dB.
- "Low" knob: Turn the knob to boost or cut low frequencies around 125 Hz by ±6 dB.



Note:

- By the EDIFIER ConneX App
- Low cutoff: Attenuate frequencies lower than the specified frequency (20-100 Hz) at a selected slope (5, 12, 18, or 24 dB/octave).
- Acoustic space: Select a gain level to compensate for the bass boost, which varies with speaker placement, 0 dB for being in the middle of the room and -4 dB for being in the corner. The closer the speaker is to a wall or corner, the smaller the value is to be set.
- Desktop control: When the speaker is placed on a desktop or an object is placed in front of it, there may be an apparent increase in the decibel level at certain frequencies. Enable the feature to mitigate this effect.



9. Specifications

Note:

- Total output power (RMS): R/L (Treble): 10 W+10 W,
- R/L (Mid): 15 W+15 W,
- R/L (Bass): 30 W+30 W

Frequency response: 46 Hz~40 kHz

Declaration for EU

- Frequency Band: 2.402 GHz - 2.480 GHz
- RF Power Output: ≤10 dBm (EIRP)
- There is no restriction of use.

10. Troubleshooting

Note:

- Cannot connect to your Bluetooth device
- Make sure that the distance between this product and your Bluetooth device is less than 10 meters and there are no obstacles between them.
- Make sure that no device is connected to this product via Bluetooth.
- Make sure that this product is in Bluetooth pairing mode. If not, manually switch it to this mode.
- Restart this product, enable Bluetooth function on your Bluetooth device, and then try again.
- Reset this product to factory settings and try again.
- No power
- Make sure that the power cable is properly connected.
- Make sure that the power supply is not disconnected.
- No sound
- Make sure that this product and your device is properly connected.
- Make sure that the correct audio input source is selected.
- Make sure that the playback is not paused.
- Increase the volume of this product and your device.
- Noise coming from speakers
- EDIFIER speakers generate little noise, while the background noise of some audio devices is too high. Please unplug audio cables and turn the volume up. If no sound can be heard at 1 meter away from the speaker, there is no problem with this product.

Note:

- To learn more about EDIFIER, please visit www.edifier.com
- For EDIFIER warranty queries, please visit the relevant country page on www.edifier.com and review the section titled Warranty Terms.
- USA and Canada: service@edifier.ca
- South America: Please visit www.edifier.com (English) or www.edifiera.com (Spanish/Portuguese) for local contact information.