

DAB-258 NT Vikedal DAB/FM radio with BT

ArtNr.: 00111515



User Manual

Version 06.2025

© 2025

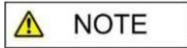
Thank you for purchasing our product. To ensure that you will be completely satisfied with this product, read and understand this manual carefully before use. Keep the manual in a safe place. The Operating Manual must be passed on to all subsequent users.



Follow the Operating Manual!



The signal word **WARNING** indicates dangers that could lead to serious injury if precautions are not taken.



The signal word **NOTE** indicates general precautionary measures that should be observed when handling the product.



Images used in this operating instructions may differ slightly from the appearance of the actual product, as long as this has no negative impact on the technical properties and safety of the product.



All personal formulations in these operating instructions are to be regarded as gender-neutral.

These operating instructions apply to persons who have been supervised or instructed in the operation of the device by a person responsible for their safety and who have proven to be able to handle the device.



Children should be supervised to ensure that they do not play with the appliance. Do not leave children unattended.

All information contained in this Operating Manual is accurate to the best of our knowledge and belief. Neither the author nor the publisher, however, can be held liable for damages or losses that arise in connection with the use of this Operating Manual.

Other product, brand or company designations specified in this document are possibly the trademarks of their respective owners. Compliance with all applicable copyright laws is the responsibility of the user of this document

Contents	page
Detailed Safety Instructions _____	3
Product overview _____	4
Commissioning _____	5
Basic operating elements _____	5
DAB radio operation _____	5
FM radio operation _____	9
Bluetooth / AUX / USB operation _____	11
System menu _____	12
Trouble-Shooting _____	16
WEEE declaration (Waste of Electrical and Electronic Equipment) _____	17

Detailed safety instructions:



- Do not expose the device to heat sources like ovens, heating or direct sunlight.
- Avoid contact with dust, dirt and moist objects.
- Do not continue to use the device if it is damaged or has been dropped.
- Repair should only be made by specialized personnel.
- Do not use the device with wet hands. Do not put foreign items (needles, pens etc.) into the openings of the casing/sockets.
- Only use the device as described in this manual.
- This unit is not a toy. Keep it away from children.
- Do not open the unit.
- Only use a soft, dry cloth to clean the device.

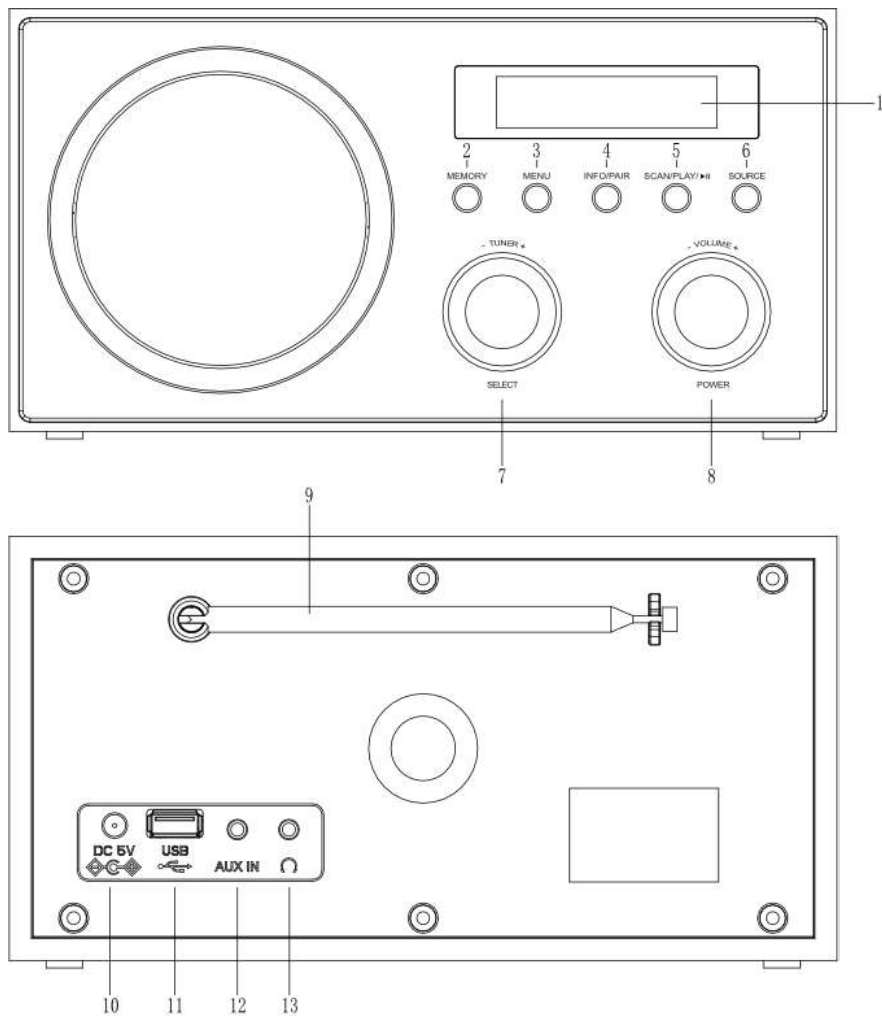
First Start

Take the device out of the box and remove all packaging material. Make sure that all of the contents are there and that there are no damages to the product.

Package contents

DAB-258 NT Vikedal DAB/FM radio, mains adapter, operating instructions

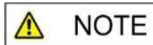
Product overview:



1. LCD-DISPLAY
2. MEMORY-BUTTON
3. MENU-BUTTON
4. INFO/PAIR-BUTTON
5. SCAN/PLAY-BUTTON
6. SOURCE BUTTON
7. TUNER-ENCODER + SELECT-BUTTON
8. VOLUME-ENCODER + POWER-BUTTON
9. ANTENNA
10. DC INPUT
11. USB-CONNECTOR
12. AUX IN-CONNECTOR
13. HEADPHONE JACK

Using your DAB+/FM radio:

1. commissioning



We recommend that you leave the language selection at "English". These operating instructions are based on English-language terms and can therefore be understood more easily and the operating steps described can be implemented more easily

- Press the POWER BUTTON to switch the device on or off.
- If during initial start-up "Time is not set" is displayed, press the POWER-BUTTON again. The device is now ready for operation. You will have the option to change the date and time later in the "System" menu.
- Extend the antenna to ensure optimum station reception

2. basic operating elements

2.1 SOURCE-BUTTON

- Select the desired operating mode. To do this, press the SOURCE BUTTON repeatedly to switch between DAB radio, FM radio, Bluetooth, USB and AUX IN (= Enter Aux).

2.2 MENU-BUTTON

- Press the MENU-BUTTON to open the menu for the selected operating mode.

2.3 TUNER-ENCODER + SELECT-BUTTON

- After opening the menu, you can call up various menu items by turning the TUNER-ENCODER and then select, activate or deactivate the desired functions by pressing the SELECT-BUTTON

2.4 VOLUME-ENCODER

- Turn the VOLUME-ENCODER clockwise or anticlockwise to increase or decrease the volume.

3. DAB+ radio operation

Use the SOURCE-BUTTON to select the DAB operating mode.

The DAB+ radio mode receives DAB+ digital radio and displays information about the station and the program or the currently playing track during transmission.

3.1.1 Searching for and resetting DAB+ stations

When you use the radio for the first time, or if the station list is empty, the radio automatically performs a complete scan for available stations. You may also need to start a scan manually to update the station list for one of the following reasons:

- New channels may become available from time to time.
- Channels are closed or can no longer be received (invalid channels are marked with a question mark in front of the name in the channel list).
- If reception was not good during the original scan (e.g. because the antenna was not extended), this may result in an empty or incomplete list of available stations.

Stations with poor reception, where the transmission is interrupted or disturbed, should not be included in the station list. Only add stations with good signal quality to your station list.

To start a complete station scan in DAB+ mode manually, press the SCAN/PLAY-BUTTON.

Alternatively, press the MENU-BUTTON and select the menu item < Full Scan> by turning the TUNER-ENCODER. To activate the full scan, press the SELECT-BUTTON again.

As soon as the scan is complete, the radio returns to playing the previously selected station or the first station in the station list.



The volume is automatically muted during the scan.



If no radio station is found, no DAB station is displayed. Make sure that the antenna is fully extended or carry out the complete search again at a different location.

3.1.2 Selecting channels from the channel list

Turn the TUNER-ENCODER to scroll through the station list. Stop at the station you want to listen to and press the SELECT-BUTTON. The station will be tuned in automatically within one second.

3.2 Saving preferred channels:

For quicker access to your favorite stations, the device offers the option to save them as so-called "presets". Then, it is no longer necessary to scroll through the entire station list.

Select the desired station from the station list and press the SELECT-BUTTON. Now, press and hold the MEMORY-BUTTON for 2 seconds. The display shows "Preset Store <1: empty>". Press the SELECT-BUTTON to save the selected station to the memory location „Preset 1" .

Select another station from the station list, press the SELECT-BUTTON and press and hold the MEMORY-BUTTON again for 2 seconds. Turn the TUNER-ENCODER to select another preset, e.g. "Preset 2", and press the SELECT-BUTTON.

Presets that have already been assigned can be overwritten in the same way.

The device offers up to 30 presets for DAB stations.

To play one of your favorite stations from the presets, press the MEMORY-BUTTON, select the desired preset by using the TUNER-ENCODER and press the SELECT-BUTTON.

3.3.1 Further settings in DAB mode

In additional settings, you can customize the DAB+ radio to your needs with a variety of options. To access settings, press the MENU-BUTTON to open the menu.

Use the TUNER-ENCODER to search for the desired menu item and select it by pressing the SELECT-BUTTON. The following menu items are available:

- Full scan
- Manual tune
- DRC
- Prune
- TA
- System

3.3.2 Full scan (complete station scan)

(See section 3.1.1)

3.3.3 Manual tune (manual scan)

In addition to the method of a full scan, you can also set the channel or frequency manually. This can be useful to achieve the best reception possible or to search for a specific channel.

Select the "Manual tune" menu item and press the SELECT-BUTTON. Then set the desired frequency or channel using the TUNER-ENCODER

The display shows a live status of the received signal strength on the selected frequency.

3.3.4 DRC (Dynamic Range Compression)

This function reduces the difference between the loudest and quietest transmitted sound. This effectively makes quiet sounds louder and loud sounds comparatively quieter.

Select the "DRC" menu item and press the SELECT-BUTTON. Then select the desired DRC setting using the TUNER-ENCODER and confirm this by pressing the SELECT-BUTTON again.

DRC settings: off (default) | high | low

 NOTE

DRC only works if this function has been activated by the selected station.

3.3.5 Prune (remove channels that are listed, but are not available)

If "Prune" is active, all invalid channels marked with a '?' in front of the channel name in the channel list are removed.

Select the "Prune" menu item and then press the SELECT BUTTON. Next, use the TUNER-ENCODER to choose between the settings <NO> (prune not active) or <Yes> (prune active) and confirm your selection by pressing the SELECT-BUTTON. The process starts automatically after 3 seconds.

3.3.6 TA (Traffic Alarm = traffic messages)

If "TA" is active, the current station reception will be interrupted by possibly important traffic reports/messages.

Select the "TA" menu item and then press the SELECT-BUTTON. Then use the TUNER-ENCODER to choose between the settings <Off> (TA not active) or <On> (TA active) and confirm your selection by pressing the SELECT-BUTTON.

3.3.7 System (general system settings)

(See section 8.)

3.4 Further information in DAB mode

In DAB mode, the device is able to display further informations. Press the INFO/PAIR-BUTTON repeatedly to call up the following informations:

- DLS (Dynamic Label Segment) -short text information that can be sent with DAB+ Audio
- Signal strength
- PTY (program type)
- Transmitter location
- Frequency
- Signal quality
- Bitrate Codec
- Time
- Date

4. FM radio operation

Use the SOURCE-BUTTON to select the FM operating mode.

FM radio mode receives analog radio from the FM band and displays RDS (Radio Data System) information about the station and the program. If RDS information is available, the station-name and other "RadioText" informations are displayed during FM radio playback.

If no information is available, only the frequency and the message <No RadioText> is displayed.

4.1 Searching for FM stations

In FM mode, start the station scan by pressing the SCAN/PLAY-BUTTON.

By default, the FM search stops at every available station. However, if the station signal is weak, this can lead to poor sound quality. It is possible to optimize this by doing some further settings.

(See section 4.3.)

In FM mode, you are also able to tune the station-frequencies manually. To do this, find the next available station and turn the TUNER-ENCODER to adjust the FM frequencies up or down in 0.05 MHz steps.

4.2 Saving preferred channels:

For quicker access to your favorite channels, the device offers you the option of saving them as so-called "presets". It then is no longer necessary to scroll through the entire station list.

In FM mode, select the desired station. Now press and hold the MEMORY-BUTTON for 2 seconds. The display shows "Preset Store <1: empty>". To save this station to "Preset 1", press the SELECT-BUTTON again.

In FM mode, select another station, press and hold the MEMORY-BUTTON for 2 seconds. Turn the TUNER-ENCODER to select another preset, e.g. "Preset 2", and press the SELECT button again.

Presets that have already been assigned can be overwritten in the same way.

The device offers up to 30 presets for FM stations.

To listen to one of your favorite stations from the "Presets", press the MEMORY BUTTON. Select the desired "Preset" using the TUNER-ENCODER and press the SELECT BUTTON.

4.3.1 Further settings in FM mode

Additional settings allow you to customize the FM radio with various options to suit your needs. To access settings, press the MENU-BUTTON to open the menu.

Use the TUNER-ENCODER to scroll to your desired menu item and select it by pressing the SELECT-BUTTON. The following menu items are available:

- Scan setting
- Audio setting
- System (see section 8.)

4.3.2 Scan setting (settings for the channel scan)

By default, the FM scan (see section 4.1) stops at every available station. This can lead to poor sound quality with weak stations. With "Scan settings", you can specify whether the station scan should include all available stations or only those with a strong broadcast signal.

Select the menu item "Scan setting" and then press the SELECT-BUTTON. Use the TUNER-ENCODER to switch between the settings <All stations> (include all stations) or <Strong stations only> (only include strong stations) and confirm your selection by pressing the SELECT-BUTTON.

4.3.3 Audio setting

By default, all stereo stations are played back in stereo. This can lead to a poorer sound quality with weak station signals. The sound quality can possibly be improved by switching to mono playback. In "Audio setting", you can specify whether the device should operate in stereo or mono.

Select the menu item "Audio setting" and press the SELECT-BUTTON. Next, use the TUNER-ENCODER to choose between the settings <Stereo allowed> (stereo mode) or <Forced Mono> (mono mode) and confirm your selection by pressing the SELECT-BUTTON.

4.3.4 System

(See section 8.)

4.4 Further informations in FM mode

The device is able to display further informations, when operating in FM mode. To do this, press the INFO/MENU-BUTTON repeatedly, to switch between the following informations:

- Radio text
- PTY (program type)
- PS (program service)
- Stereo & Mono
- Time
- Date

5. Bluetooth operating mode (Bluetooth name "DAB-238")

Use the SOURCE-BUTTON to select the "Bluetooth" operating mode.

Activate the Bluetooth function on your mobile device and search for " DAB-238" in the Bluetooth device list. After a successful connection, set the volume on your mobile device to the desired level or use the VOLUME-ENCODER of our product.

By pressing the INFO/PAIR-BUTTON, you are able to disconnect the existing Bluetooth connection and establish a new connection with another mobile device.

In operating mode, "Bluetooth" there are no separate menu items to select from. However, you always have access to the "System" main menu.

(See section 8.)

6. Enter Aux operating mode (Aux In)

Use the SOURCE-BUTTON to select "Enter Aux" operating mode.

Connect an external audio source to our product via using the "AUX IN" socket on the rear. Use a 3.5 mm audio cable (not included). You are now able to play music from your audio source. Adjust the volume on the source itself or by using the VOLUME-ENCODER of our product.

In "Enter Aux" operating mode, there are no separate menu items to select from. However, you always have access to the "System" main menu.

(See section 8.)

7. USB operating mode

Use the SOURCE-BUTTON to select the "USB" operating mode.

Connect a USB medium (e.g. USB memory stick) to the device via the USB socket on the rear. To play stored audio files, press the SCAN/PLAY-BUTTON. To pause playback, press this button again. To skip tracks backwards and forwards use the TUNER-ENCODER. Set the desired volume using the VOLUME-ENCODER.

In "USB" operating mode, there are no separate menu items to select from. However, you always have access to the "System" main menu.

(See section 8 .)

8. System menu (general settings)

You have access to the general settings via the "System" menu in the same way regardless of the current operating mode. Press the MENU-BUTTON and select the <System> menu item by using the TUNER-ENCODER. Confirm the selection by pressing the SELECT-BUTTON.

The system menu options are:

- Sleep
- Alarm
- Time
- Backlight
- Language
- Factory reset
- SW version

NOTE

When scrolling through the possible values, an asterisk (*) appears at the right-hand side of the display, indicating the currently selected value for each setting.

8.1 Sleep (automatic switch-off function)

Use the TUNER-ENCODER to select the menu item <sleep> and then press the SELECT-BUTTON.

With the sleep timer, you can set your radio to switch off automatically. You can choose between "Sleep off", 15, 30, 45, 60 or 90 minutes using the TUNER-ENCODER and confirm your selection with the SELECT-BUTTON. With "Sleep off", the automatic switch-off is deactivated and the device must be switched off manually. With "15 minutes" it switches off automatically after 15 minutes, with "30 minutes" after 30 minutes and so on.

8.2 Alarm (alarm clock function)

The device offers the option of setting 2 different wake-up times / alarm times (Alarm 1 and Alarm 2)

Use the TUNER-ENCODER to choose the <Alarm> menu item and press the SELECT-BUTTON.

1. "Alarm Setup" (set Alarm 1 or Alarm 2)

Use the TUNER-ENCODER to decide whether you want to edit alarm 1 or alarm 2. To do this, press the SELECT-BUTTON to confirm either "Alarm 1 Setup" or "Alarm 2 Setup".

2. "On time" (setting the alarm time)

By turning the TUNER-ENCODER, you are able to set the flashing hours-display to the desired alarm time and confirm by pressing the SELECT-BUTTON. The hour display stops flashing and the minutes-display of the alarm time begins to flash. Turn the TUNER-ENCODER to set the minutes-display to the desired value and confirm by pressing the SELECT-BUTTON.

You will now automatically be taken to the next menu item

3. "Duration" (setting the alarm duration)

Use the TUNER-ENCODER to select between 15, 30, 45, 60 and 90 minutes. This is the time until the alarm tone is automatically switched off after activation. Confirm your selection by pressing the SELECT-BUTTON. You will automatically be taken to the next menu item.

4 "Source" (setting the alarm sound / source)

Choose between a simple alarm-time buzzer or one of the available programs: DAB, FM or USB. Select with the TUNER-ENCODER and confirm with the SELECT-BUTTON. If you have selected DAB or FM, you can either use the last station you listened to ("Last listened") or you can use the TUNER-ENCODER to select the desired station from your station list and confirm this with the SELECT-BUTTON. You are now automatically taken to the next menu item.

5. "Once / Daily / Weekdays / Weekends" (setting the alarm repetition)

You can specify whether this is a one-off alarm or whether it should be repeated regularly. "Once", "Daily", "Weekdays" or "Weekends". Use the TUNER-ENCODER to select the desired option and confirm by pressing the SELECT-BUTTON.

6. "Alarm on/off" (switch alarm on or off)

Here you are able to activate the stored alarm "Alarm on" or deactivate it "Alarm off". Select with the TUNER-ENCODER and confirm by pressing the SELECT-BUTTON. Now, your alarm settings have been saved



<Alarm 2 setting> like <Alarm 1 setting>

Snooze

When the alarm starts, press the SELECT-BUTTON to activate the snooze function for 9 minutes.

Stop alarm

When the alarm starts, press the POWER button to stop it.

8.3 Set Time/Date (setting the date and time)

Set the time and the date in the „Time“ menu.

Set the time using the TUNER-ENCODER and confirm by pressing the SELECT-BUTTON.

Set the date using the TUNER-ENCODER and confirm by pressing the SELECT-BUTTON.

In the „Time“ menu, you are also able to select other parameters with the TUNER-ENCODER.

8.3.1 "Auto update" (set the update method for time and date)

Update from Any / Update from DAB+ / Update from FM / No update Make your selection using the TUNER-ENCODER and then confirm your choice by pressing the SELECT-BUTTON.

8.3.2 "Set 12/24 hour" (setting 12 or 24 hour display)

Turn the TUNER-ENCODER to set either the 12 or 24 hour display and confirm your choice by pressing the SELECT-BUTTON.

8.3.3 "Set date format" (Set date display format)

You can choose between two different date display formats. Either DD/MM/YYYYY or MM/DD/YYYY. Select your desired setting using the TUNER-ENCODER and confirm your selection by pressing the SELECT-BUTTON.

8.4 Backlight (setting the backlight / brightness)

This menu allows you to adjust the properties of the backlight/brightness of the LCD display to suit your needs.

8.4.1 "Timeout" (setting the automatic dimmer function of the backlight)

You can determine whether the backlight should be dimmed automatically if you have not operated a control element on the device for a longer period of time. You can use the TUNER-ENCODER to select different times between 10 seconds and 180 seconds, or deactivate automatic dimming (for this option, select the "On" setting). Confirm by pressing the SELECT-BUTTON.

8.4.2 "On level" (setting the brightness of the display)

Here you can choose between three brightness levels using the TUNER-ENCODER. "High", "Medium" or "Low". Confirm your selection by pressing the SELECT-BUTTON. Your selection will take effect immediately and restores the standard backlighting according to the selected timeout option.

8.4.3 "Dim level" (setting the dimming-level of the LCD display during timeout)

Here you can determine how much the LCD display should be dimmed during the timeout. Use the TUNER-ENCODER to choose between the options "Low", "Medium" and "High" and confirm your selection by pressing the SELECT-BUTTON. Depending on the selected timeout option, the display is dimmed to „Low“, „Medium“ or „High“.

8.5 Language (set language)

The language shown on the LCD display can be selected from the following options: English, German, Italian, French, Spanish, Dutch.

Turn the TUNER-ENCODER to scroll through the language menu and press the SELECT-BUTTON to confirm the desired language.

NOTE

We recommend that you leave the language selection at "English". These operating instructions are based on English-language terms and can therefore be understood more easily and the operating steps described can be implemented more easily

8.6 Factory reset (reset all settings made)

When resetting to the factory settings, all settings made by the user are deleted and replaced by the original default values, so that the time/date, presets/settings, DAB+ station list and preset stations are lost.

Use the TUNER-ENCODER to select the "Factory Reset" and open it by pressing the SELECT-BUTTON.

You will now be asked to choose between < No> and <Yes>. <No> cancels the process, <Yes> starts the reset of the settings. Make your selection using the TUNER-ENCODER and confirm your choice by pressing the SELECT-BUTTON.

8.7 SW version (Software version)

The current software version is displayed here.

Use the TUNER-ENCODER to scroll through the menu until you reach the menu item <SW version> and then press the SELECT-BUTTON to display the current software version.

9. Trouble shooting

Problem	Solution
No sound	<ul style="list-style-type: none"> - The transmitter is not set. Fine-tune the transmitter. - The volume is set to a low value. Increase the volume. - Headphones may be connected. Disconnect the headphones.
Buttons do not work	Switch the device off and then on again after a few seconds.
Station not found	Weak signal. Use the manual tuning function.
FM: Noise DAB+: Jerking/intermittent switch-off	<ul style="list-style-type: none"> - The signal reception is too weak. Adjust the antenna or move the device to a location with a stronger signal. - Rescan stations.
DAB+: "No stations available	As above, then scan stations again.

Specifications

Description	DAB+/FM radio
performance of the speakers:	5W
Frequency ranges:	FM: 87.5 -108MHz; DAB+: 174 - 240MHz
LCD display:	High-resolution display
Bluetooth transmission frequency range:	2402MHz-2480MHz
Max. transmission power (Bluetooth):	2dbm
Dimension:	13.2 x 11.6 x 22.5 cm

Power supply:

Manufacturer	Shenzhen ABP Technology CO.,LTD
Address	2nd floor,3 & 4 buildings,Xin hao Sheng Industrial Zone,Fu hai street,Fu yong district, Shenzhen 518103,China
Type	AD0121-0502000GB
Input voltage	AC100-240V
AC frequencyinput	50/60HZ
Output voltage	DC 5V
Output current	2000mA
Output power	10.0W
Average active efficiency	78.7% 115VAC/60Hz
Efficiency at low load (10%)	78.7% 230VAC/50Hz
Power consumption in idle mode	@115AC/60HZ

WEEE declaration (Waste from electrical and electronic equipment)

Your product has been developed and manufactured from high-quality materials and components that are recyclable and can be reused. The symbol means that your product should be disposed of separately from household waste at the end of its service life. Please dispose of this product at your local collection point or recycling center. Please help to protect the environment in which we all live.

Legal notice

All specifications and appearance are subject to change without notice. All information was correct at the time of printing. Musikhaus Kirstein GmbH does not guarantee the accuracy or completeness of the descriptions, photos or statements contained in this manual. Printed colors and specifications may differ slightly from the product. Musikhaus Kirstein GmbH products are only sold through authorized dealers. Distributors and dealers are not representatives of Musikhaus Kirstein GmbH and have no authority to legally bind Musikhaus Kirstein GmbH in any way.

This manual is protected by copyright. Any reproduction or reprinting, even in part, is only permitted with the written consent of Musikhaus Kirstein GmbH. The same applies to the reproduction or copying of images, even in modified form. The CE marking, which is affixed to your product and/or the packaging or operating instructions, confirms the conformity of the product with all harmonized EC directives relevant to this article. You can download the EC Declaration of Conformity for this article from the download link below:

SIMPLIFIED EU DECLARATION OF CONFORMITY

Hereby, Musikhaus Kirstein GmbH declares that the device/radio "Bennett & Ross" [DAB-258 NT Vikedal DAB/FM radio with BT] is in compliance with EU Directive 2014/53/EU. You can download the EC Declaration of Conformity for this product from the download link:

http://www.kirstein.de/docs/Konformitaetserklaerung/CE_Konformitaetserklaerung_00111515.

 **KIRSTEIN.de**

Musikhaus Kirstein GmbH, Bernbeurener Str. 11, D-86956 Schongau
Phone: 08861 / 90 94 94-0, e-mail: info@kirstein.de, www.kirstein.de

