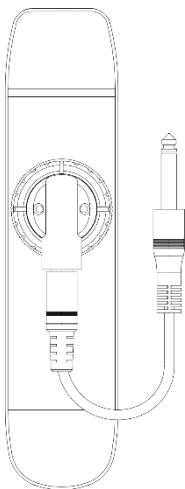




## Classic Cantabile KAE1 E-Kazoo

Item no.: 00101241



## Operating instructions

Version 08/2024

These operating instructions are protected by copyright. Reproduction of these operating instructions, even in part, is only permitted with the permission of Musikhaus Kirstein GmbH. The same applies to the reproduction or copying of images, even in modified form.

## Contents

Intended use .....	2
Ingredients / components .....	3
Installing the pickup .....	4
The correct way to play the kazoo.....	5
WEEE declaration .....	6

Thank you for purchasing this product.

To ensure that you are completely satisfied with this product, please read and understand this user manual carefully before using our product. Keep these operating instructions in a safe place. The operating instructions must be passed on to all subsequent users.



Observe the operating instructions!



**WARNING**

The signal word **WARNING** indicates dangers that could lead to serious injury if precautions are not taken.



**HINWEIS**

The signal word **NOTE** indicates general precautionary measures that should be observed when handling the product.



**HINWEIS**

Images and screen displayed in these operating instructions may differ slightly from the appearance of the actual product as long as this has no negative impact on the technical properties and safety of the product.



**HINWEIS**

All personal formulations in these operating instructions are to be regarded as gender neutral.

These operating instructions apply to persons who have been supervised or instructed in the operation of the appliance by a person responsible for their safety and who have demonstrated that they can handle the appliance.

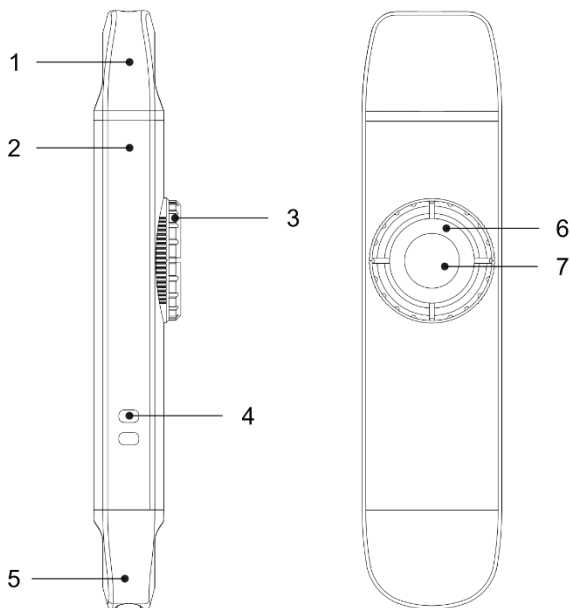
All information in these operating instructions has been checked to the best of our knowledge and belief. However, neither the author nor the publisher can be held liable for any damage arising in connection with the use of these operating instructions.

Other product, brand and company names mentioned in this document may be the trademarks of their respective owners. Compliance with all applicable copyright laws is the responsibility of the user of this document.

## Intended use

- Only use the product in accordance with the instructions given here. Failure to follow these instructions will invalidate the warranty! Musikhaus Kirstein GmbH accepts no liability for any resulting damage.
- Unauthorized conversions or modifications to the product are not permitted for safety reasons and will also invalidate the warranty.
- Do not open or modify the instrument.
- Never use or store the product in places exposed to extreme or humid temperatures or rain.
- Check the item for possible damage before putting it into operation.
- Do not place any open light sources (candles, etc.) on or next to the product.
- Do not allow any liquids or moisture to penetrate the instrument.
- Turn the volume control of your playback device (active speaker, loudspeaker, system, etc.) to the lowest level before switching on.
- This device can be used in combination with an amplifier or headphones, which can lead to permanent hearing loss. Do not operate the device at an uncomfortable level for long periods of time. If you notice hearing loss or ringing in the ears, you should stop using the device immediately and consult a doctor.
- Protect the product from strong impacts. Do not drop it.
- Do not place any heavy objects on the product.
- Interference noise can be generated when wireless communication devices such as cell phones are operated near this device. Such noise may occur when receiving or initiating a call or during a conversation. If such problems occur, you should place such wireless devices at a greater distance from this device or switch them off.
- Do not expose the instrument to direct sunlight, place it near devices that radiate heat, leave it in a closed vehicle or otherwise expose it to extreme temperatures. Excessive heat can deform or discolor the device.
- For daily cleaning, wipe the appliance with a soft, dry cloth or a cloth slightly moistened with water. Then wipe the device thoroughly with a soft, dry cloth. Never use benzene, thinner, alcohol or solvents of any kind.
- Do not exert any force on the controls.
- Keep the original packaging for warranty claims and safe transportation.
- Keep spare parts and accessories out of the reach of children, as they can be a potential choking hazard.
- Disconnect the product from the instrument cable when not in use.

## Ingredients / components



### **1. Mouthpiece**

The player can speak, sing or hum into this mouthpiece to produce a typical kazoo sound.

### **2. Body**

This body amplifies the generated sound and volume.

### **3. Adjusting wheel**

You can loosen or tighten this wheel to replace and fix the membrane. Please note that if the adjustment wheel is too tight, the membrane can't vibrate and therefore no sound will be produced. If unwanted background noise occurs while playing, you can loosen or tighten the adjustment wheel to adjust the sound to your requirements.

### **4. Opening for belt mounting**

Here you can attach the supplied strap to hang the kazoo around your neck, for example.

### **5. Bass mouthpiece**

The player can speak, sing or hum into this mouthpiece to produce a deeper, bassier sound compared to the mouthpiece.

### **6. Membrane**

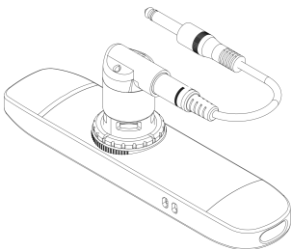
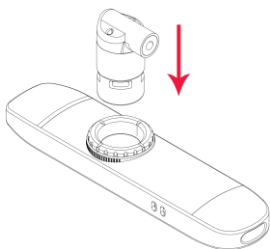
This plate is made to vibrate when it is played, thus producing a sound or changing the tone of your own voice. There are 5 replacement membranes included.

### **7. Hole for membrane**

This amplifies the sound of the instrument to the outside or picks it up via the pickup.

## **Installing the pickup**

Set the membrane to the desired tone using the adjusting wheel. Then insert the pickup into the adjustment wheel from above and connect the pickup to the supplied jack cable via the 3.5 mm jack socket. This cable can now be connected to the playback device of your choice (e.g. mixing console, speakers, etc.). The supplied jack adapter can be used to adapt the cable from a 6.3 mm jack to a 3.5 mm jack. Please note that the playback device must have a microphone preamplifier.



## The correct way to play the kazoo

A kazoo is not a wind instrument and is therefore not played by blowing air into it. Instead, you speak, sing or hum into the instrument, which in turn causes the membrane to vibrate and thus produces the sound or changes your own voice. The membrane does not produce its own sound, it merely amplifies and changes the sound of the voice. The pitch depends on the tone sung or hummed into it. Different effects or sounds can be produced by changing the air flow.

## WEEE declaration

(Waste of Electrical and Electronic Equipment)

Your product has been developed and manufactured using high-quality materials and components that are recyclable and reusable. The symbol means that your product must be disposed of separately from household waste at the end of its service life. Dispose of this appliance at your local collection point or recycling center. Please help to protect the environment in which we all live.

All technical data and appearances are subject to change without prior notice. All information was correct at the time of printing. Musikhaus Kirstein GmbH accepts no liability for the accuracy or completeness of the descriptions, photos or statements contained in this manual. Printed colors and specifications may differ slightly from the product. Musikhaus Kirstein GmbH products are only sold through authorized dealers. Distributors and dealers are not representatives of Musikhaus Kirstein GmbH and are not authorized to legally bind Musikhaus Kirstein GmbH in any way.

 **KIRSTEIN.de**

Musikhaus Kirstein GmbH  
Bernbeurener Straße 11  
86956 Schongau - Germany  
info@kirstein.de  
Telefon/Phone: 0049-8861-909494-0  
Fax/Fax: 0049-8861-909494-19

