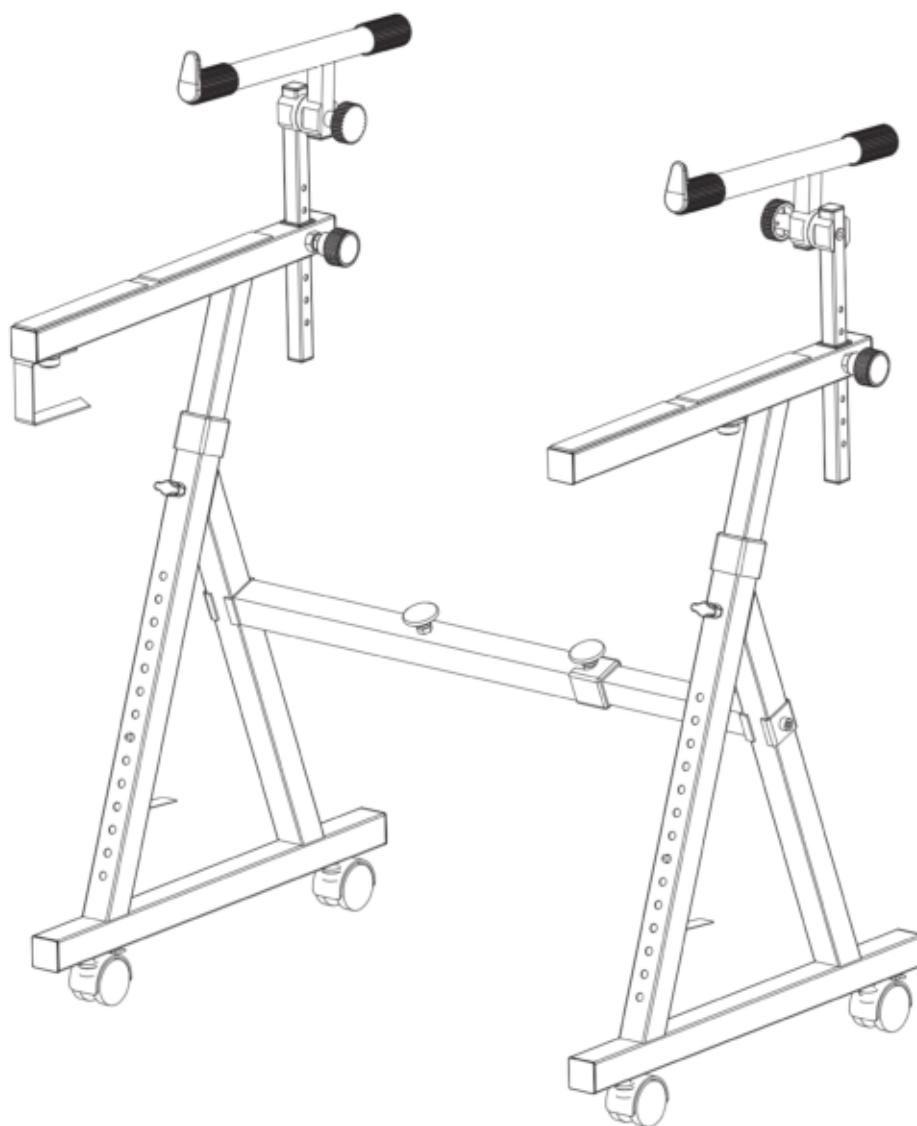




Classic Cantabile KSD-400Pro MK II

Art. No. 00090607, 00090608, 00090609, 00090610



Assembly instructions

Version 10/2022



This operating instruction is protected by copyright. Reproduction of these operating instructions, even in part, is only permitted with the consent of Musikhaus Kirstein GmbH. The same applies to the reproduction or copying of images, even in modified form.

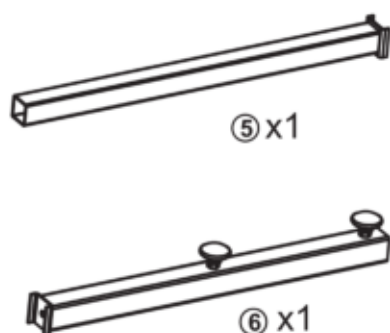
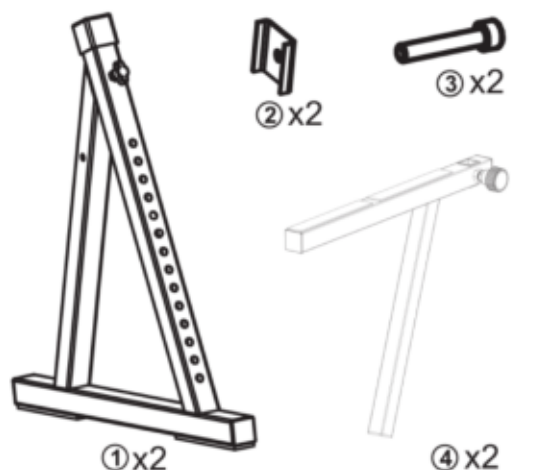
Content

Components..... 2
Assembly..... 3
Specifications..... 4

Components

Before assembling the product for the first time, please check that all the necessary components are included.

1. Feet
2. Positioning holder
3. Screw for cross bar
4. Keyboard arm
5. Cross bar
6. Insertion rod for crossbar
7. Headphone holder
8. 2. Tier
9. Allen wrench
10. Rolls

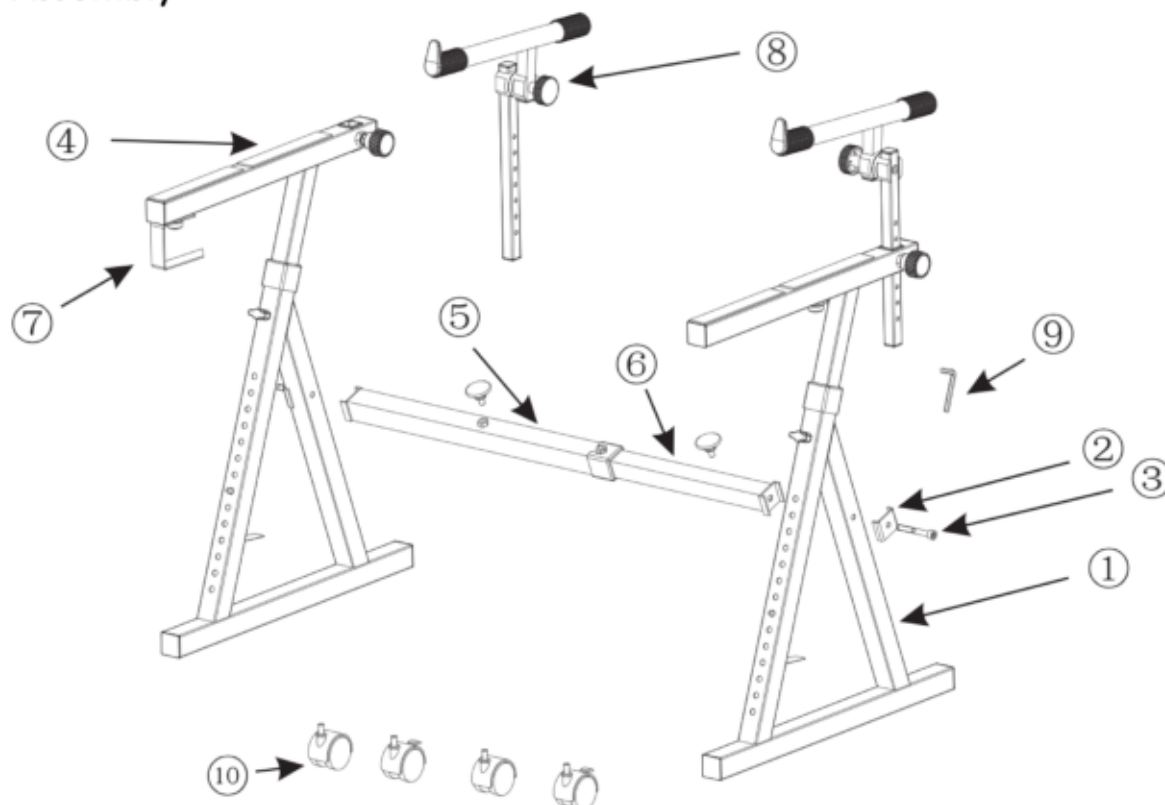


IMPORTANT:

The following components are described and illustrated but are not included with keyboard stand 00090607 and must be purchased separately or in set form.

- 7. **headphone holder for keyboard stand** - Art. No. 00090610
- 8. **2. Tier for keyboard stand** - Art. No. 00090609
- 10. **Rolls for keyboard stand** - Art. No. 00090608

Assembly



Structure of the basic construction:

Push the insertion rod **(6)** into the cross bar **(5)** and fix it in the appropriate width with the two screws.

Now attach the insertion rod **(6)** incl. cross bar **(5)** to the feet **(1)** from the outside using the positioning holder **(2)** and the appropriate screws **(3)**.

You can now place the two keyboard arms **(4)** in the feet **(1)** and fix them with the screws that are already mounted on the feet.

Extended structure:

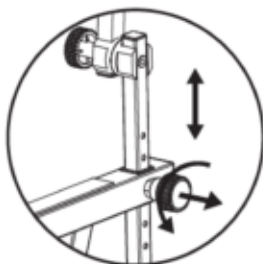
After you have built up the basic construction, you can extend the stand individually with suitable accessories.

Place the headphone holder **(7)** in the position shown and screw it to the keyboard support **(4)** from below using the appropriate screw.

There are four pre-drilled holes on the underside of the feet **(1)**. The rolls **(10)** can easily be clicked into place with a little pressure.

The second tier **(8)** can be inserted into the keyboard supports **(4)** and fixed at the desired height. Please note the following for this.

- Turn the knob on the keyboard arms **(4)** to the left to release it.
- Then pull the knob
- Now you can adjust the height of the 2. tier up and down.



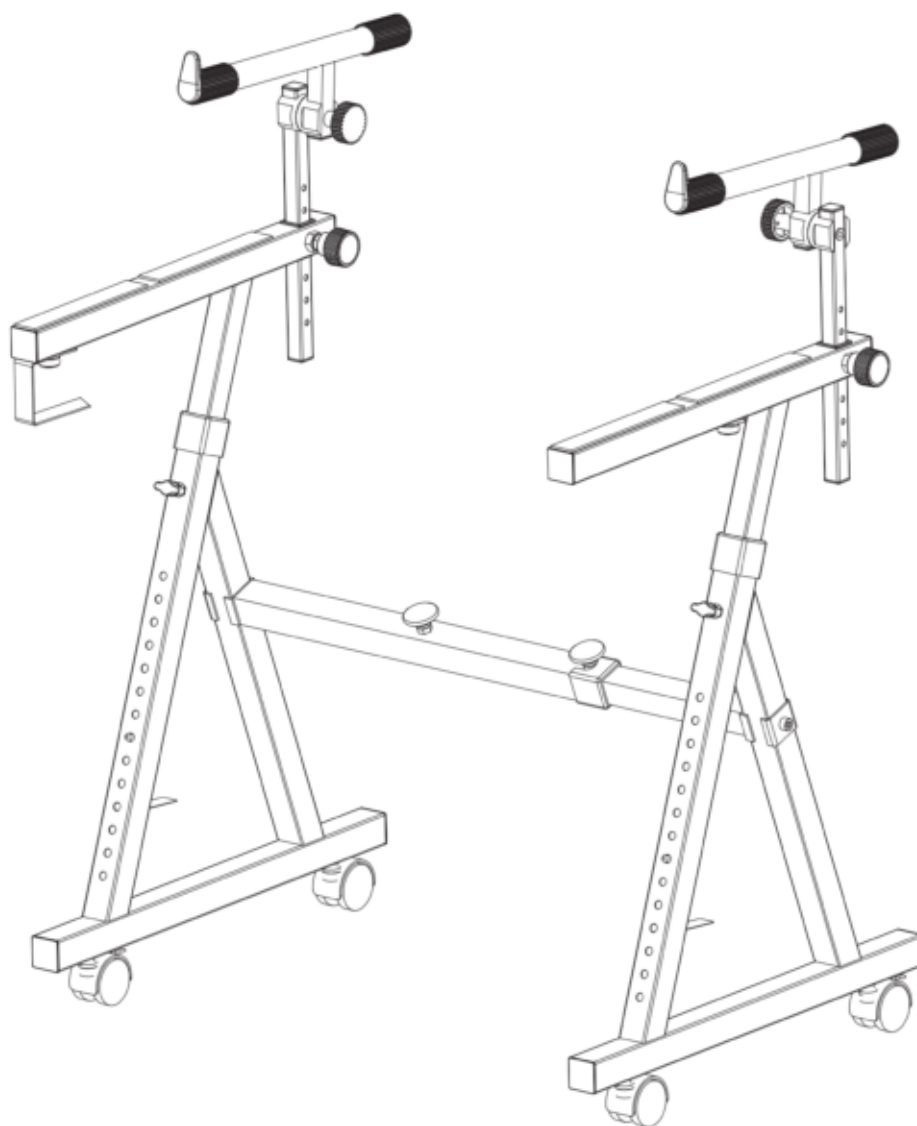
Specifications

Product type	Keyboard stand
Material - Keyboard stand	Steel
Material - 2nd tier	Steel
Material - Headphone holder	Steel
Material - Rolls	Plastic
Lacquer	Powder coating
Max. Loading capacity - 1. tier	100 kg
Max. Loading capacity - 2. tier	30 kg
Depth - 1. tier	45 cm
Width - Keyboard stand	62,5 cm - 102 cm
Depth - Keyboard stand	50 cm
Height - Keyboard stand	65 cm - 96 cm
Weight - Keyboard stand	7,63 kg
Width - 2. tier	62,5 cm - 102 cm
Depth - 2. tier	34.5 cm
Height - 2. tier	15 cm - 30 cm
Weight - 2. tier	0,65 kg
Diameter - Rolls	5 cm
Weight - Rolls	70 - 76 gram
Max. Loading capacity - Headphone holder	3 kg
Dimensions - Headphone holder	12,7 x 2,6 x 7,0 cm
Weight - Headphone holder	0,11 kg



Classic Cantabile KSD-400Pro MK II

Art. No. 00090607, 00090608, 00090609, 00090610



Assembly instructions

Version 10/2022



This operating instruction is protected by copyright. Reproduction of these operating instructions, even in part, is only permitted with the consent of Musikhaus Kirstein GmbH. The same applies to the reproduction or copying of images, even in modified form.

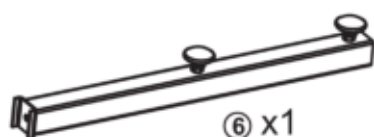
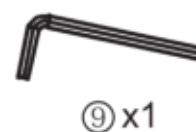
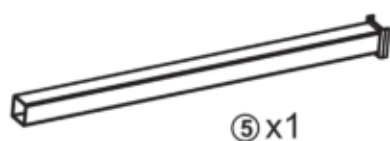
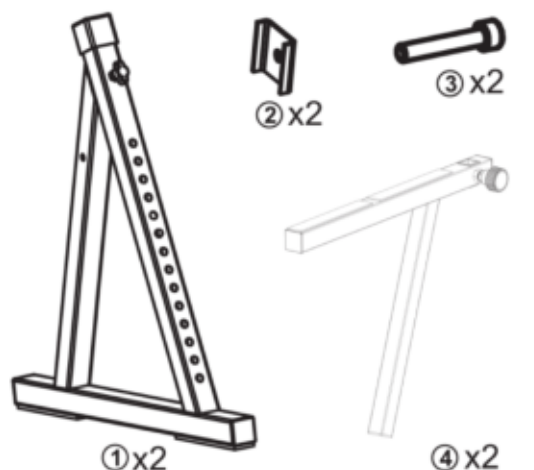
Content

Components..... 2
Assembly..... 3
Specifications..... 4

Components

Before assembling the product for the first time, please check that all the necessary components are included.

1. Feet
2. Positioning holder
3. Screw for cross bar
4. Keyboard arm
5. Cross bar
6. Insertion rod for crossbar
7. Headphone holder
8. 2. Tier
9. Allen wrench
10. Rolls



IMPORTANT:

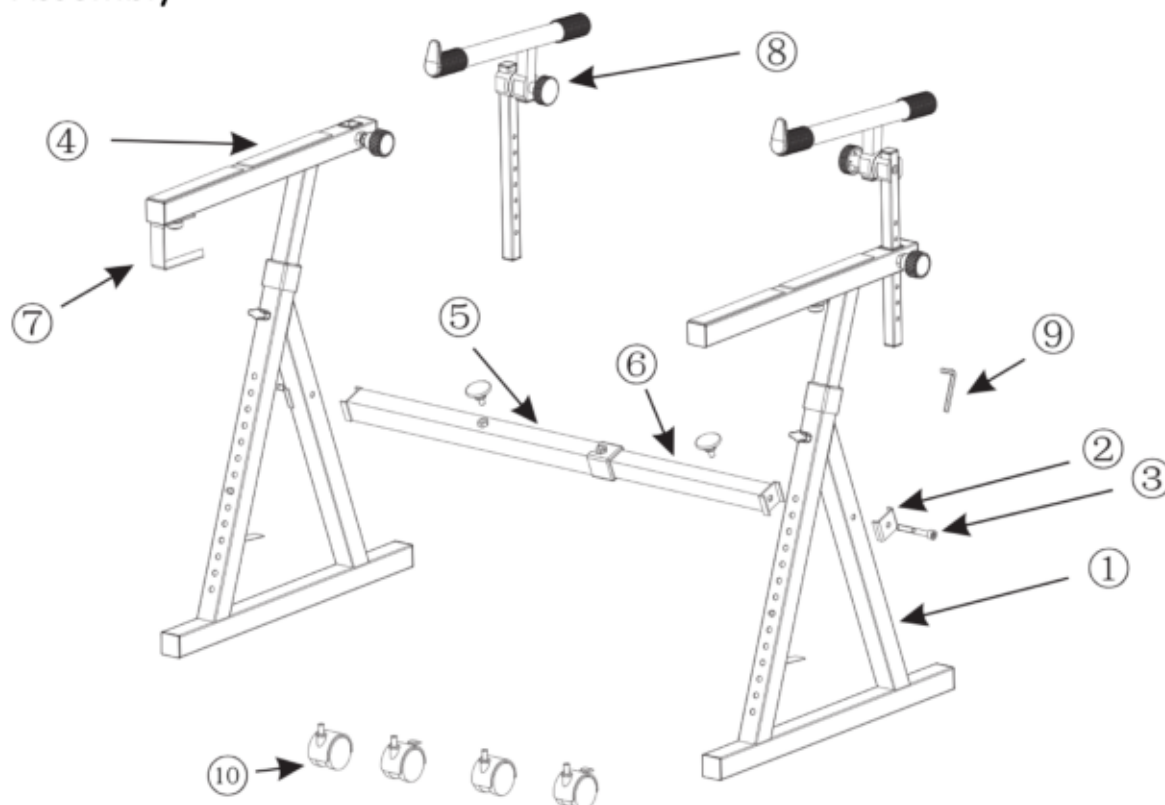
The following components are described and illustrated but are not included with keyboard stand 00090607 and must be purchased separately or in set form.

7. **headphone holder for keyboard stand** - Art. No. 00090610

8. **2. Tier for keyboard stand** - Art. No. 00090609

10. **Rolls for keyboard stand** - Art. No. 00090608

Assembly



Structure of the basic construction:

Push the insertion rod **(6)** into the cross bar **(5)** and fix it in the appropriate width with the two screws.

Now attach the insertion rod **(6)** incl. cross bar **(5)** to the feet **(1)** from the outside using the positioning holder **(2)** and the appropriate screws **(3)**.

You can now place the two keyboard arms **(4)** in the feet **(1)** and fix them with the screws that are already mounted on the feet.

Extended structure:

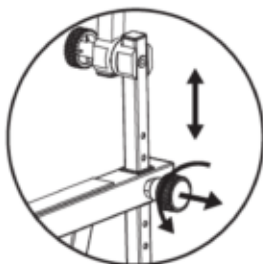
After you have built up the basic construction, you can extend the stand individually with suitable accessories.

Place the headphone holder **(7)** in the position shown and screw it to the keyboard support **(4)** from below using the appropriate screw.

There are four pre-drilled holes on the underside of the feet **(1)**. The rolls **(10)** can easily be clicked into place with a little pressure.

The second tier **(8)** can be inserted into the keyboard supports **(4)** and fixed at the desired height. Please note the following for this.

- Turn the knob on the keyboard arms **(4)** to the left to release it.
- Then pull the knob
- Now you can adjust the height of the 2. tier up and down.



Specifications

Product type	Keyboard stand
Material - Keyboard stand	Steel
Material - 2nd tier	Steel
Material - Headphone holder	Steel
Material - Rolls	Plastic
Lacquer	Powder coating
Max. Loading capacity - 1. tier	100 kg
Max. Loading capacity - 2. tier	30 kg
Depth - 1. tier	45 cm
Width - Keyboard stand	62,5 cm - 102 cm
Depth - Keyboard stand	50 cm
Height - Keyboard stand	65 cm - 96 cm
Weight - Keyboard stand	7,63 kg
Width - 2. tier	62,5 cm - 102 cm
Depth - 2. tier	34.5 cm
Height - 2. tier	15 cm - 30 cm
Weight - 2. tier	0,65 kg
Diameter - Rolls	5 cm
Weight - Rolls	70 - 76 gram
Max. Loading capacity - Headphone holder	3 kg
Dimensions - Headphone holder	12,7 x 2,6 x 7,0 cm
Weight - Headphone holder	0,11 kg