

Pronomic V-Array

Pronomic V-Array 208 LA: 00070643, 00070646, 00070671, 00071053, 00071054, 00071052

Pronomic V-Array 210 LA: 00070644, 00070646, 00070671, 00071053, 00071054, 00071052

Pronomic V-Array 212 LA: 00070645, 00070647, 00070672, 00071053, 00071054, 00071052



Instruction manual

Revision: 09-2024

© 2024

This manual is protected by copyright. Reproduction of these operating instructions, even in part, is only permitted with the permission of Musikhaus KIRSTEIN GmbH. The same applies to the reproduction or copying of images, even in modified form.

Content

Rear panel of the subwoofer	3
Product description (Subwoofer)	4
Product description (satellites)	5
Wiring of the satellites	6
Connections	7
DSP Presets Diagram	8
Subwoofer specifications	9
Specifications of the satellites	1
Angling and plug-in connections of the satellites	2
Bluetooth connection	3
Intended use	3
Important safety instructions.....	3
Installation and operation	3
Optional accessories	3
SIMPLIFIED EU DECLARATION OF CONFORMITY	4
WEEE-Erklärung (Waste of Electrical and Electronic Equipment)	4

Thank you for choosing this product.
To ensure that you are fully satisfied with this product, please read this manual carefully before using our product. Keep this manual in a safe place. The manual must be passed on to all subsequent users.



Observe operating instructions!



WARNUNG

The signal word WARNUNG indicates dangers which can lead to serious injury if no precautionary measures are taken.



HINWEIS

The signal word HINWEIS indicates general precautions to be taken when handling the product.



HINWEIS

Images and screen displays in this manual may differ slightly from the appearance of the actual product, as long as this does not have a negative effect on the technical properties and safety of the product.



HINWEIS

All personal formulations in these operating instructions are to be considered gender-neutral.

These operating instructions apply to persons who have been supervised or instructed in the operation of the device by a person responsible for their safety and who have demonstrated that they are capable of handling the device.



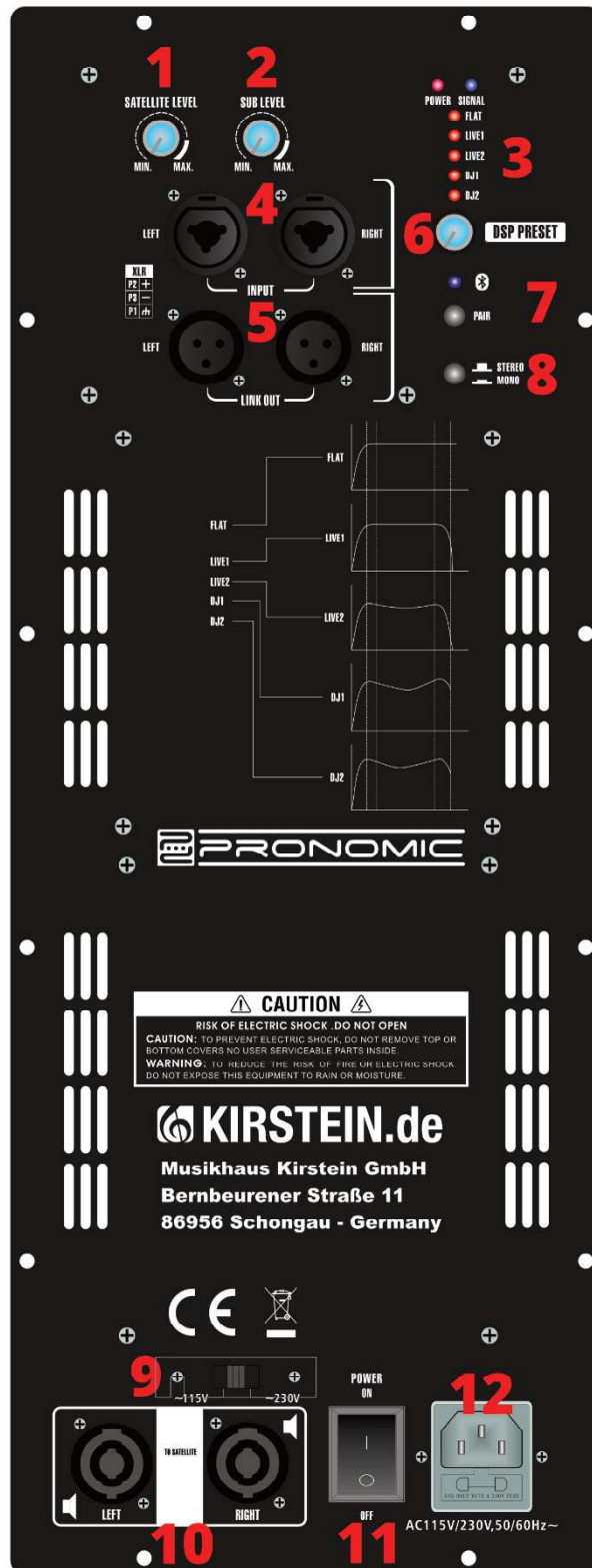
WARNUNG

**Children should be supervised to ensure that they do not play with the appliance.
Do not leave children unattended.**

All information in this manual has been checked to the best of our knowledge and belief. However, neither the author nor the publisher can be held liable for any damages in connection with the use of this manual.

Other product, brand and company names mentioned in this document may be the trademarks of their respective owners. The user of this document is responsible for compliance with all applicable copyright laws.

Rear panel of the subwoofer



Product description (Subwoofer)

1. volume control knob for satellites

With this control you can adjust the volume of the tops compared to the subwoofer

2. volume control knob for subwoofer

With this control you can adjust the volume of the subwoofer in comparison to the satellites

3. DSP LEDs

These LEDs indicate which DSP preset is selected

4. line input

Use these combo jacks (XLR or 6.3mm jack) to connect sound sources to the system such as a mixing console or other stereo sources

5. link output

With these XLR sockets you can continue to loop the input signal unamplified. This allows you to use e.g. another system or another mixing console, etc.

6. DSP Knob

With this control you can choose between the different DSP presets (see also item DSP Presets Diagram). The following presets are available

Flat: LowCut

Live1: LowCut, HighCut

Live2: LowCut, HighCut, mid cut

DJ1: LowCut, HighCut, mid cut, bass boost

DJ2: LowCut, HighCut, mid cut, bass boost

7. Bluetooth power button

With this button you can activate or deactivate the Bluetooth connection

8. stereo/mono button

Stereo (button not pressed): Input L routes the input signal to Output L, Input R routes the input signal to Output R

Mono (button pressed): The mono sum of input L and R is routed to both outputs

9. voltage selector switch

Here the power supply can be adjusted for countries with 115V mains voltage.



If the wrong voltage is selected, the system can be seriously damaged!

10. outputs for tops

Use these Speaker Twist sockets to connect your subwoofer with the satellites

11. on/off switch

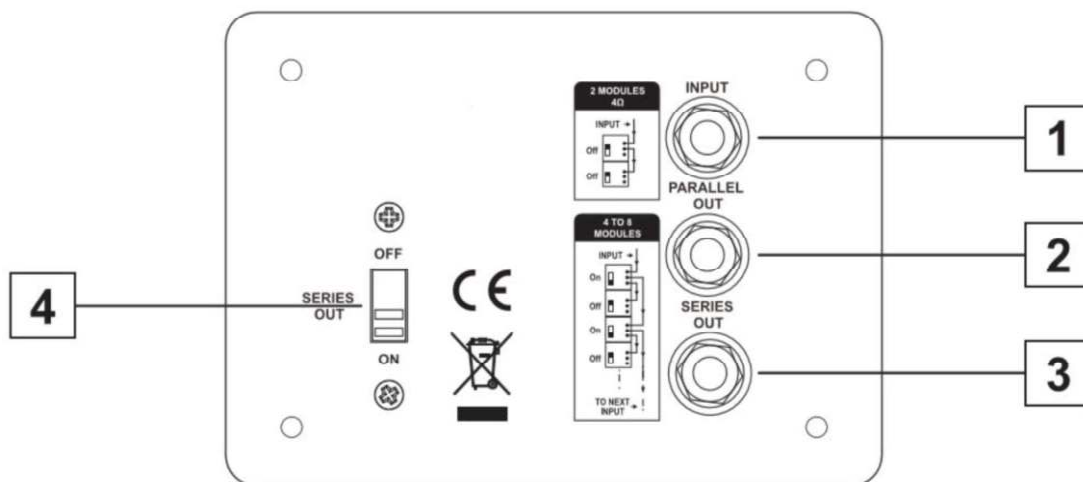
This is the switch for power the product on and off

12. power plug & fuse

Use the mains cable supplied to connect the unit to a mains socket and thus supply the unit with power

Only use the same fuse that is installed from the factory (250 Volt)

Product description (satellites)



1. Input

Input from subwoofer or previous element

2. Parallel output

Output for a parallel connection

3. Serial output

Output for serial connection

4. Serial output switch

Parallel or serial connection of the next element

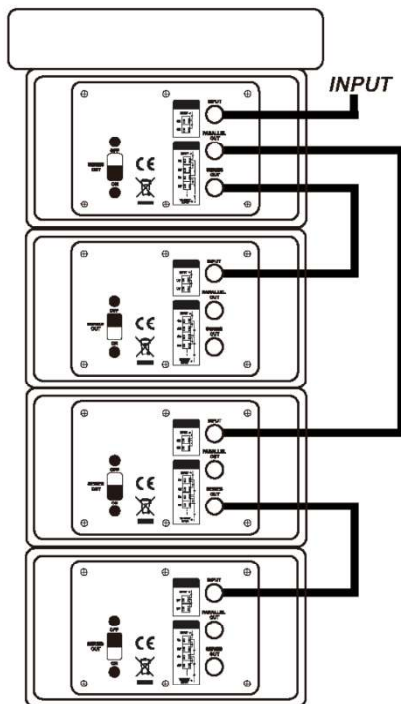
Set the switch to the OFF position to connect the next element in parallel.

Set the switch to ON to connect the next element in series. The slide switch of the last element must be set to OFF



Only wire the satellites as described on the following pages

Wiring of the satellites

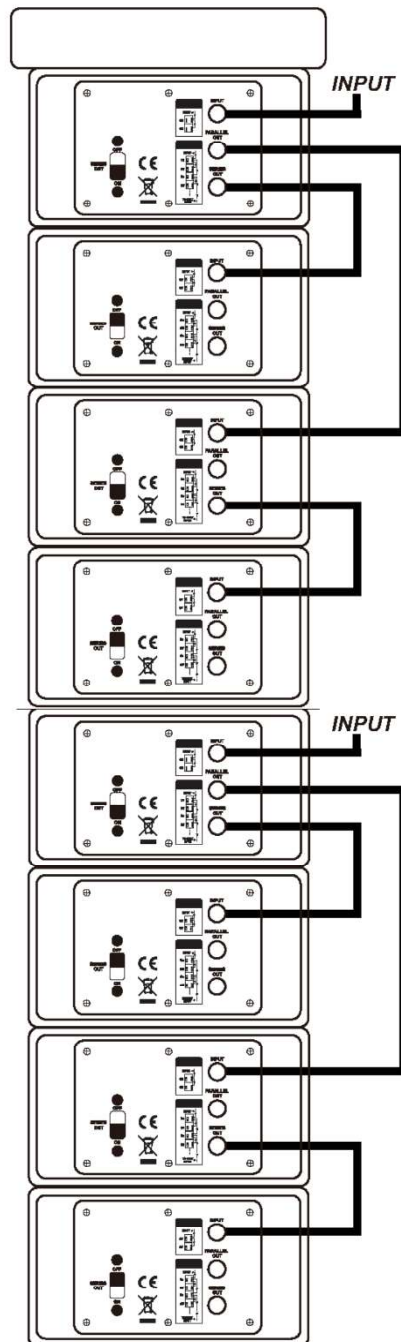


4 Module.array
(8.ohms)

Module (1-3):



Module (2-4):



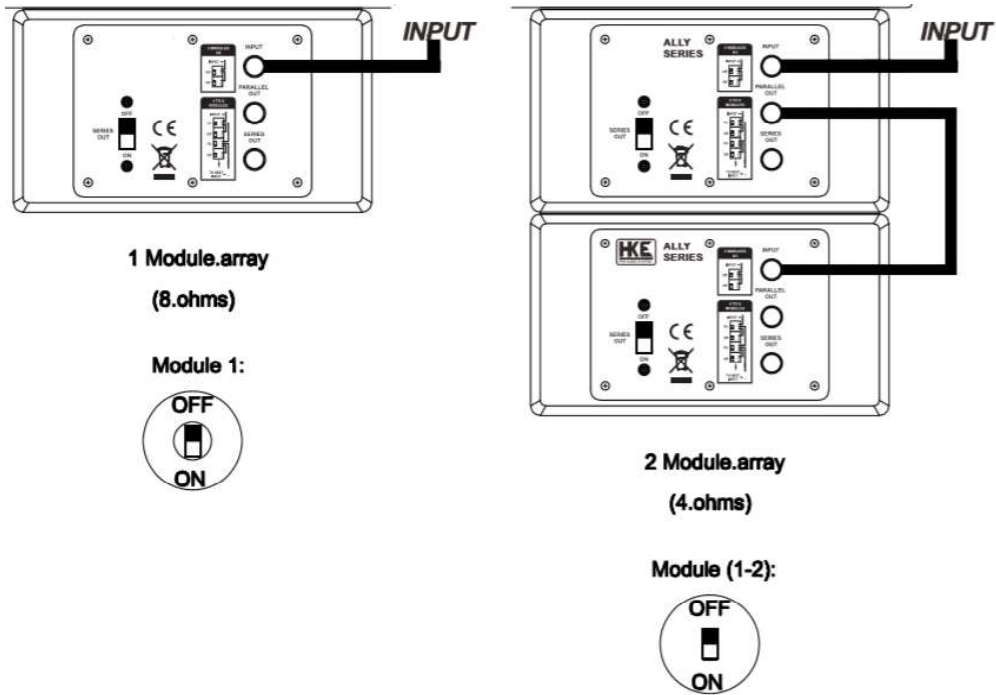
8 Module.array
(4.ohms)

Module (1-3-5-7):



Module (2-4-6-8):





Security



WARNING

Before installing or removing the product, make sure that the power cord is not connected to the mains.



WARNING

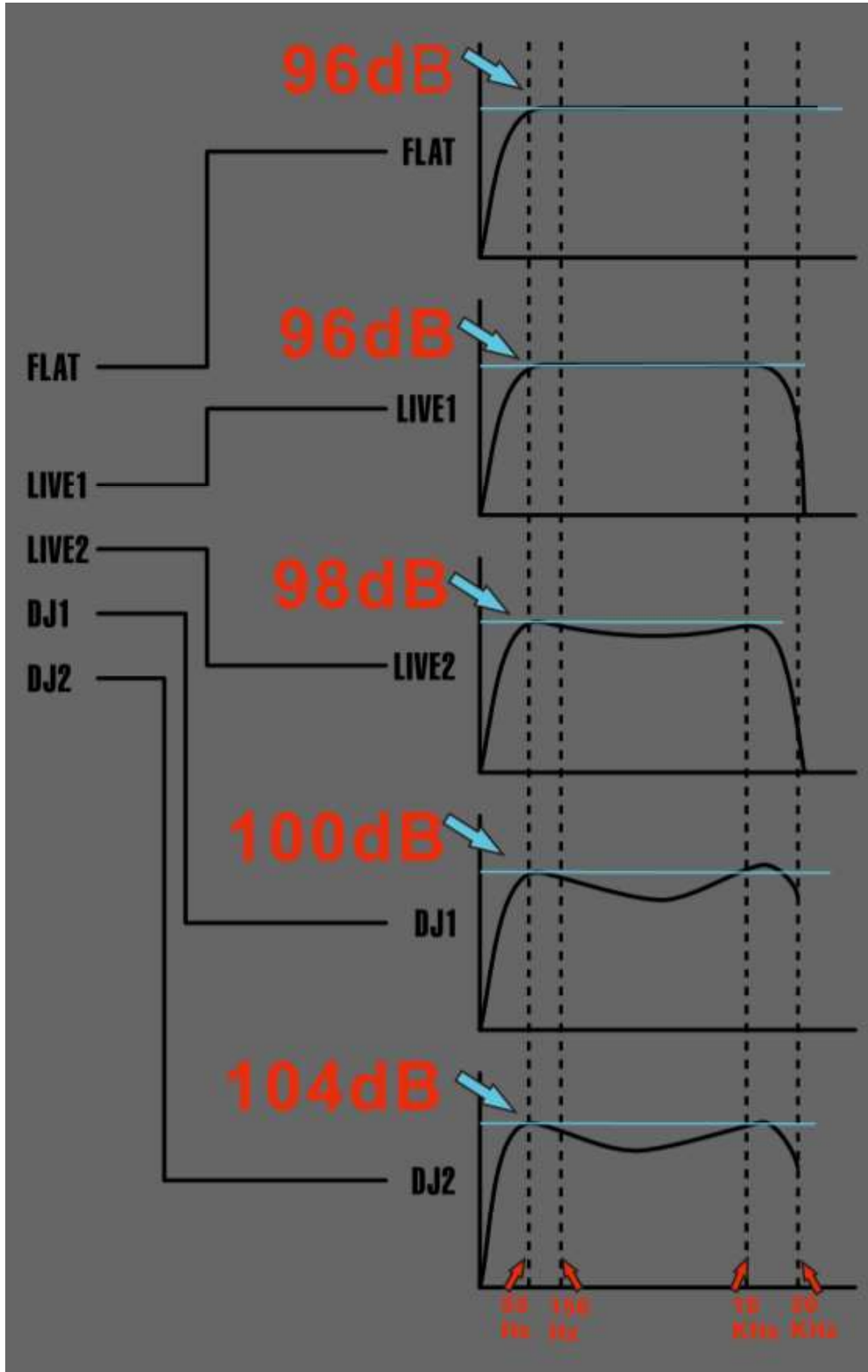
Make sure that the product is set up so that no one can trip over the power cord.

- The repair and installation of this unit must be carried out by qualified personnel in compliance with the approved safety standards.
- Do not place objects that are heat sources on the product.
- Do not expose the appliance to water. Penetration of liquid can cause a short circuit;
- If you are placing several units on top of each other, check that they cannot fall down. Falls can destroy the units and cause serious physical injury.

Connections

Before using the product, make sure that your mains voltage matches the voltage indicated on the product.

DSP Presets Diagram



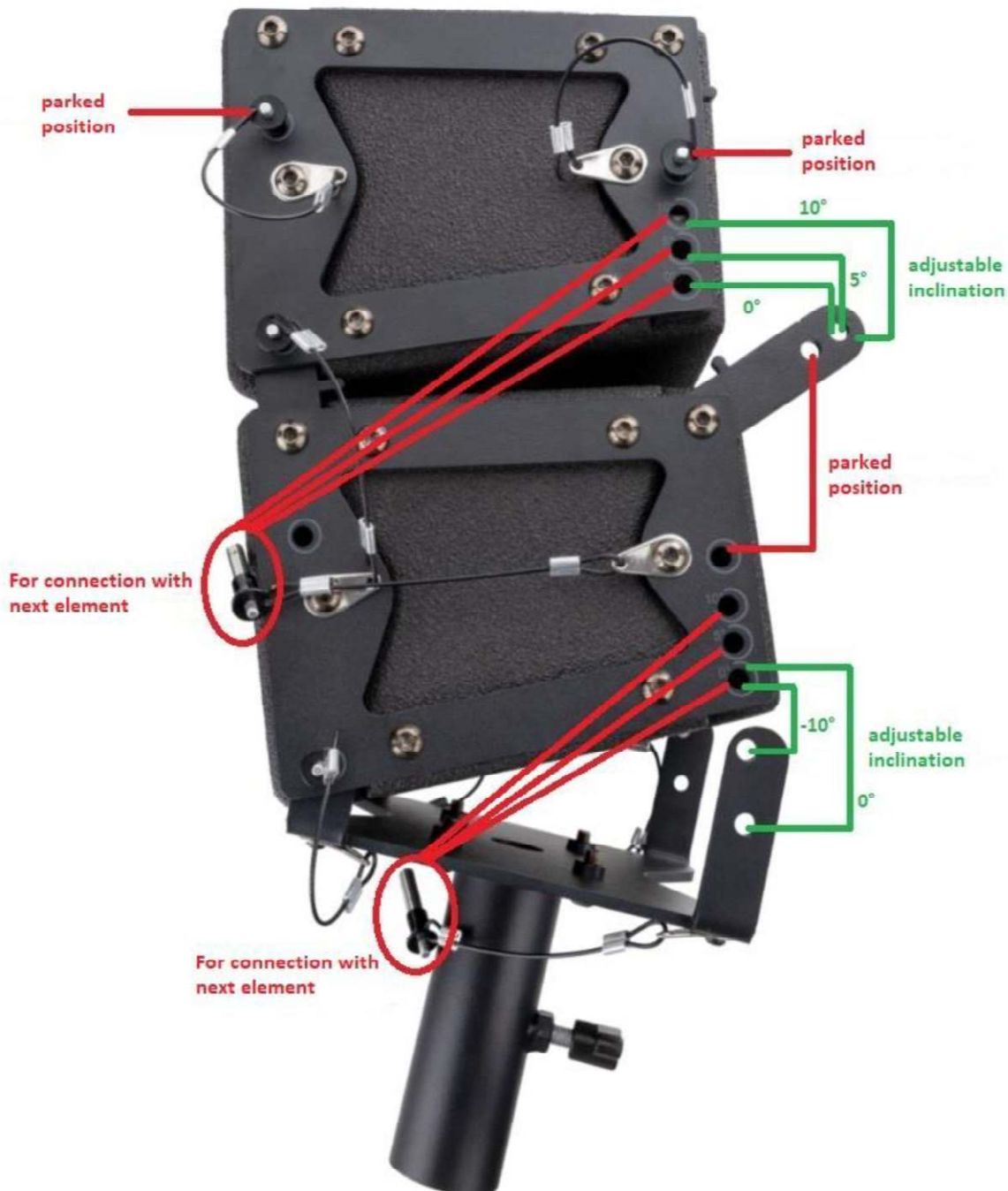
Subwoofer specifications

Model	V-Array 208 LA, 4.1.	V-Array 210 LA, 8.1	V-Array 212 LA, 8.1.
Type	Dual 8" bass reflex subwoofer, 2.1 function	Dual 10" bass reflex subwoofer, 2.1 function	Dual 12" bass reflex subwoofer, 2.1 function
Frequency response (-10dB)	55Hz - 250Hz	50Hz - 250Hz	45Hz - 250Hz
Sensitivity 1W @ 1M	125dB	125dB	125dB
Output power (RMS)	400 watt	600 watt	700 watt
Output power (PEAK)	800 watt	1200 watt	1200 watt
Min. Load Satellite Out	4 ohm	4 ohm	4 ohm
Driver	Dual 8" subwoofer, 2" voice coil	Dual 10" subwoofer, 2" voice coil	Dual 12" subwoofer, 3" voice coil
Max. SPL	118 dB	123 dB	128 dB
Housing	15mm plywood	15mm plywood	15mm plywood
Grille	Steel grille with acoustic mesh	Steel grille with acoustic mesh	Steel grille with acoustic mesh
Lacquer / optics	Textured paint	Textured paint	Textured paint
Dimensions (mm)	260 mm x 550 mm x 350 mm	380 mm x 670 mm x 560 mm	500 mm x 800 mm x 610 mm
Amplifier type	Class-D amplifier 2.1 function	Class-D amplifier 2.1 function	Class-D amplifier 2.1 function
Amplifier power (subwoofer)	400 watt RMS (4 ohm)	400 watt RMS (4 ohm)	700 watt RMS (4 ohm)
Amplifier power (satellites)	2x 120 watt RMS (4 ohm)	2x 120 watt RMS (4 ohm)	2x 200 watt RMS (4 ohm)
Crossover frequency (subwoofer)	150Hz	150Hz	150Hz
Crossover frequency (satellites)	120Hz	120Hz	120Hz
DSP	96kHz, 48-bit sampling DSP processor	96kHz, 48-bit sampling DSP processor	96kHz, 48-bit sampling DSP processor
Bluetooth	Version 4.2	Version 4.2	Version 4.2
Protection	Soft start, short circuit, overload	Soft start, short circuit, overload	Soft start, short circuit, overload
Buttons and controls	Volume, low pass, mode selection, DSP, BT, power switch	Volume, low pass, mode selection, DSP, BT, power switch	Volume, low pass, mode selection, DSP, BT, power switch
Cooling	Convection	Convection	Convection
Ads / Indicators	Power, signal and DSP mode indicators	Power, signal and DSP mode indicators	Power, signal and DSP mode indicators
Connections (subwoofer)	Input: 2x XLR / 6.3 Jack (combi), output: 2x XLR-Out, 2x Speaker Twist	Input: 2x XLR / 6.3 Jack (combi), output: 2x XLR-Out, 2x Speaker Twist	Input: 2x XLR / 6.3 Jack (combi), output: 2x XLR-Out, 2x Speaker Twist
S/R Ratio	> 100dB	> 100dB	> 100dB
Mains voltage	230V AC / 150V AC	230V AC / 150V AC	230V AC / 150V AC
Fuse	T6.3A/250V 5.2*20mm	T8.A/250V 5*20mm	T8.A/250V 5*20mm
Weight	22,62 kg	28,30 kg	37,00 kg

Specifications of the satellites

Type	4" 2-way system, passive	4" 2-way system, passive	4" 2-way system, passive	Double 4" 2-way system, passive
Frequency response (-10dB)	150Hz-16KHz	150Hz-16KHz	150Hz-16KHz	150Hz-16KHz
Sensitivity 1W @ 1M	109 dB	109 dB	109 dB	109 dB
Output power (RMS)	30 watt	30 watt	30 watt	60 watt
Output power (PEAK)	60 watt	60 watt	60 watt	120 watt
Max. SPL	109 dB each satellite	116 dB each satellite	116 dB each satellite	116 dB each satellite
Nominal impedance	8 ohm	8 ohm	8 ohm	8 ohm
Beam angle	90°	90°	90°	90°
Driver	4" full range woofer, 1" Voice Coil	4" full range woofer, 1" Voice Coil	4" full range woofer, 1" Voice Coil	4" full range woofer, 1" Voice Coil
Housing	12mm plywood	12mm plywood	12mm plywood	12mm plywood
Grille	Steel grille with acoustic mesh	Steel grille with acoustic mesh	Steel grille with acoustic mesh	Steel grille with acoustic mesh
Lacquer / optics	Textured paint	Textured paint	Textured paint	Textured paint
Connections	Parallel or serial 6.3mm jack	Parallel or serial 6.3mm jack	Parallel or serial 6.3mm jack	Parallel or serial 6.3mm jack
Dimensions (mm)	134 x 196 x 165 mm	134 x 196 x 165 mm	134 x 196 x 165 mm	134 x 391 x 220 mm
Weight per satellite	3,28 kg	3,28 kg	3,28 kg	4,90 kg

Angling and plug-in connections of the satellites



- You can adjust the **inclination of the satellites** at the positions marked in green
- The pins inserted in the picture are in a **parked position** and can be used to **connect to the next element** if required

- To insert and remove the pins, the pins on the back of the pins must be pressed

Bluetooth connection

To connect a Bluetooth-enabled device such as a mobile phone or similar to the system, press the Bluetooth button on the back of the subwoofer. The LED starts flashing, confirming that Bluetooth is activated. Now look for the name Pronomic V-array in the connections of your Bluetooth enabled device and select it. The LED changes from flashing to steady light, provided that the system has connected to your device.

Intended use

Important safety instructions

- To avoid injury from electric shock, do not allow the cables, plugs or parts of this product to come into contact with water or other liquids.
- Unplug the power cord before installing the product or replacing parts.
- Do not operate the product with a damaged cable or plug.
- If the fuse needs to be replaced, use an identical fuse
- Connect the power cord to a power outlet with a protective grounding.

Installation and operation



Disconnect the unit from the power supply before installation.

Optional accessories

As an alternative to attaching the satellites to the stand adapter, Pronomic also offers flying frames for suspended mounting:

00070669 V-Array 104 flying frame suitable for 00070646 V-Array 104 TP top

00070670 V-Array 204 flying frame suitable for 00070647 V-array 204 TP top



It is imperative that you observe the instructions supplied for the assembly of the flying frame and the safety instructions contained therein!

SIMPLIFIED EU DECLARATION OF CONFORMITY

Musikhaus Kirstein GmbH hereby declares that the radio system type [Pronomic V-Array 208 SA Subwoofer, Pronomic V-Array 210 SA Subwoofer and Pronomic V-Array 212 SA Subwoofer] complies with Directive 2014/53/EU.

The full text of the EU Declaration of Conformity is available at the following Internet address

http://www.kirstein.de/docs/Konformitaetserklaerung/CE_Konformitaetserklaerung_0070643.pdf

http://www.kirstein.de/docs/Konformitaetserklaerung/CE_Konformitaetserklaerung_0070644.pdf

http://www.kirstein.de/docs/Konformitaetserklaerung/CE_Konformitaetserklaerung_0070645.pdf

WEEE-Erklärung (Waste of Electrical and Electronic Equipment)

Your product has been designed and manufactured using high quality materials and components that can be recycled and reused. The symbol means that your product must be disposed of separately from household waste at the end of its life.

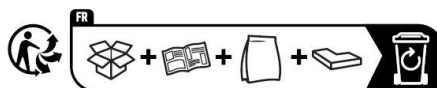
Dispose of this unit at your local collection or recycling point.

Please help to protect the environment in which we all live.

All technical data and appearances can be changed without prior notice. All information was correct at the time of printing. Musikhaus Kirstein GmbH does not guarantee the correctness or completeness of the descriptions, photos or statements contained in this manual. Printed colours and specifications may differ slightly from the product. Products of Musikhaus Kirstein GmbH are only sold through authorised dealers. Distributors and dealers are not representatives of Musikhaus Kirstein GmbH and are not authorised to legally bind Musikhaus Kirstein GmbH in any way.

 **KIRSTEIN.de**

Musikhaus Kirstein GmbH
Bernbeurener Straße 11
86956 Schongau - Germany
Telefon: 0049-8861/909494-0
info@kirstein.de



Points de collecte sur www.quefairedeposechets.fr
Privilégiez la réparation ou le don de votre appareil !



Pronomic V-Array Flying Frames

Pronomic V-Array 104 Flugrahmen, Art. 00070669
Pronomic V-Array 204 Flugrahmen, Art. 00070670



© 2020

This manual is protected by copyright. Duplication of these operating instructions, even in part, is only permitted with the approval of Musikhaus Kirstein GmbH. The same applies to the reproduction or copying of images, even in modified form.

Content

Safety / Intended use	3
Transport and storage	4
Assembly Instruction	5
Assembly Example	6

Thank you for choosing this product.

To ensure that you are fully satisfied with this product, please read this manual carefully before using our product. Keep this manual in a safe place. This manual must be passed on to all subsequent users.



Observe operating instructions!



WARNING

With the signal word WARNING the dangers are marked which can lead to severe injuries if no precautionary measures are taken.



NOTE

The signal word NOTE indicates general precautions to be taken when handling the product.



NOTE

Images and screen displays in this manual may differ slightly from the appearance of the actual product as long as this does not have a negative effect on the technical properties and safety of the product.



NOTE

All personal formulations in these operating instructions are to be considered gender-neutral.

This operating manual applies to persons who have been supervised or instructed in the operation of the device by a person responsible for their safety and who have proven that they are capable of handling the device.



WARNING

Children should be supervised to ensure that they do not play with the appliance. Do not leave children unattended.

All informations in this operating manual has been checked to the best of our knowledge and belief. However, neither the author nor the publisher can be held liable for any damages in connection with the use of this manual.

Other product, brand and company names mentioned in this document may be the trademarks of their respective owners. The user of this document is responsible for compliance with all applicable copyright laws.



NOTE

Read this manual carefully before operating the flying frame and keep it in a safe place.

Safety / Intended use



Please observe the following safety instructions to avoid risks!

- The Pronomic V-Array flying frames were developed exclusively for professional use.
- Musikhaus Kirstein GmbH assumes no liability for damages resulting from improper use.
- Check the flying frame and all included parts before each assembly for safe operation (visible damage and wear, functionality)
- The flying frames Pronomic V-Array 104 and Pronomic V-Array 204 may only be used for Pronomic V-Array systems.
- This manual describes how to use the flying frames of the Pronomic V-Array series. Any other use is considered improper and can lead to personal injury and material damage.
- Unauthorized changes or modifications to the flying frame are not permitted. There is danger to life!
- Pronomic V-Array 104 and Pronomic V-Array 204 flying frames may only be used and operated by trained and qualified personnel. They must check the flying frames for suitability before each use.
- The flying frames must be taken out of operation immediately as soon as visible damage to the flying frames or individual parts is apparent.
- The attachment points, such as crossbars, ceilings, etc. must be checked for full stability and load-bearing capacity before installing the Pronomic V-Array 104 and Pronomic V-Array 204 flying frames.
- The Pronomic V-Array 104 flying frame is designed for 16 elements (Pronomic V-Array 104 TP top) and the Pronomic V-Array 204 flying frame is designed for 12 elements (Pronomic V-Array 204 TP top). This load capacity must never be exceeded!
- When installing the speakers, make sure that neither the power supply cables nor any other speaker cables are pinched or twisted. The respective national electrical engineering regulations and provisions apply.
- Make sure that there are no persons in the immediate vicinity of the installation site.

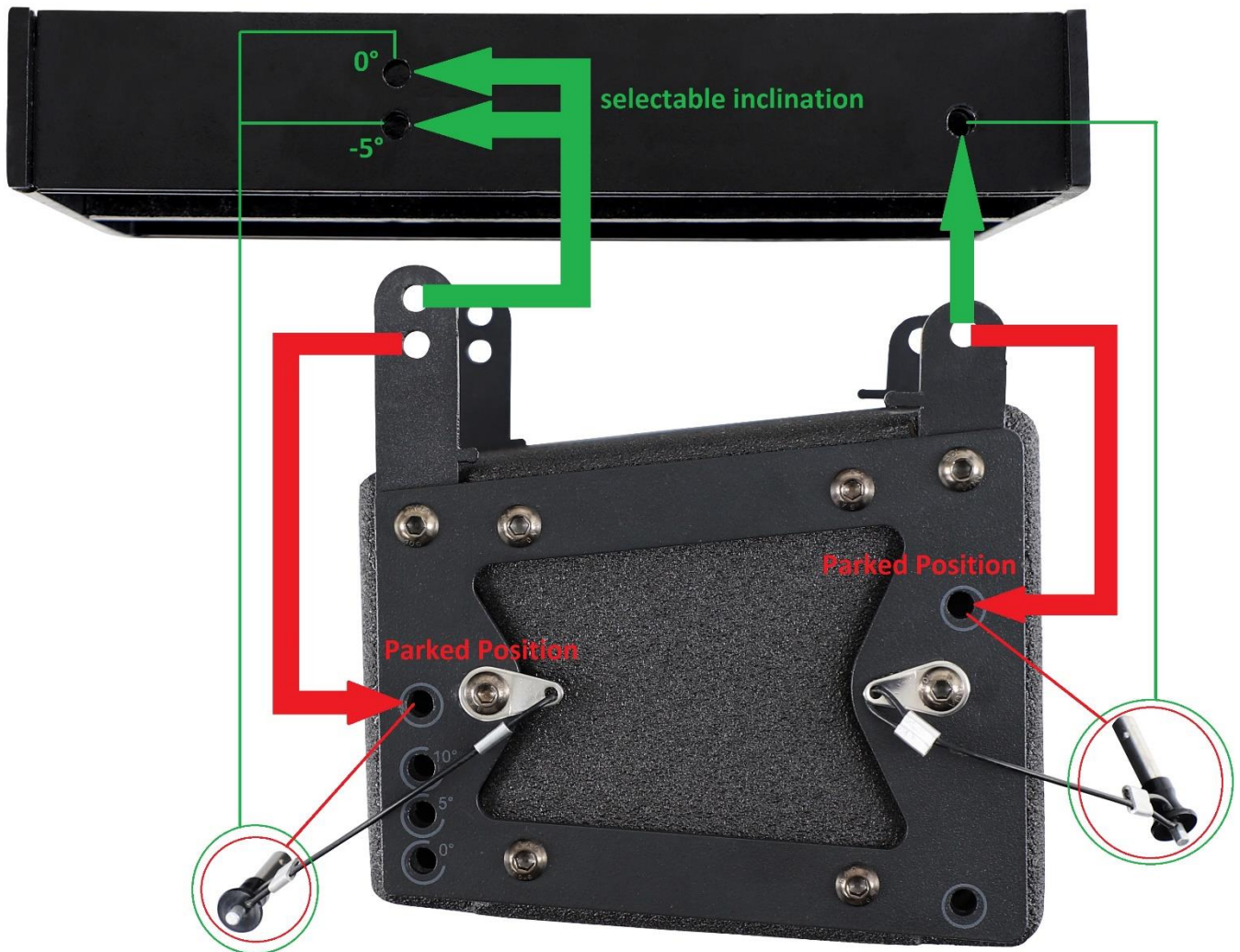
- Be sure to observe the information and safety instructions in the instructions for fasteners such as shackles, etc. from third party suppliers
- The flying frames are designed for indoor use only.

Transport and storage

- During transport and storage, make sure that the surface of the flying frame is not damaged. Moisture can penetrate exposed steel surfaces (scratches) and cause the material to rust.
- For this reason, safe, dry and dust-free conditions must be ensured during transport and storage.
- The cardboard packaging is not suitable for permanent transport.

Assembly Instruction

Below you will find illustrated instructions for mounting the flying frames to the satellites/top parts



- The **red arrows** show the position in which the fasteners can be parked.
- The **green arrows** show the connection between satellites and flying frame and the **selectable inclination**.
- The **green** and **red** lines indicate which pin has to be plugged into which position to secure.
- To insert and remove the pins, the small silver pins on the back of the pins must be pressed.

Assembly Example

In the following you will find an assembly example, which shows an assembled satellite in 0° angle to the flying frame



This declaration applies to the flying frames Pronomic V-Array 104 (00070669) and Pronomic V-Array 204 (00070670).

It is hereby confirmed that the above mentioned products comply with the protection requirements of the applicable EU directives, including all applicable amendments.

 **KIRSTEIN.de**

The logo for KIRSTEIN.de, featuring a stylized 'K' icon followed by the text 'KIRSTEIN.de' in a bold, sans-serif font.

Musikhaus Kirstein GmbH

Bernbeurener Str. 11

86956 Schongau – Germany

Telefon/Phone: 0049-8861-909494-0

Telefax/Fax: 0049-8861-909494-19