

ASSEMBLY INSTRUCTIONS

Caution !

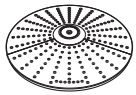
Watch your fingers when adjusting clamps. They may become pinched resulting in injury. Be careful around pipe ends, inside the pipe and screw ends. Metal shavings, etc. May injure your fingers.

Inside This Package

Before assembly, please make sure that all the items listed below are present.

CYMBAL PADS] box

Cymbal Pad x 1 (Hi-Hat)

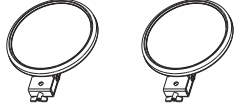


Cymbal Pad x2 (Crash and Ride)



[DRUM PADS] box

Drum Padx2



[DRUM PADS] box

Drum Padx2



[ACCESSORIES] box

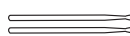
Cymbal Holder (S)



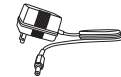
Cymbal Holder x2(L)



Drumstick x 2



AC Adaptor



Metal Rod x4



Drum Key



Handscrew X 2



Connection Cable X 9



Instruction Manual



Assembly Instructions



Hexagon Key(5MM)



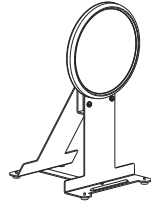
[HI-HAT PEDAL] box

Hi-Hat Control Pedal

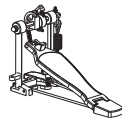


[BASS DRUM PEDAL] box

Kick Pad



Kick Pedal

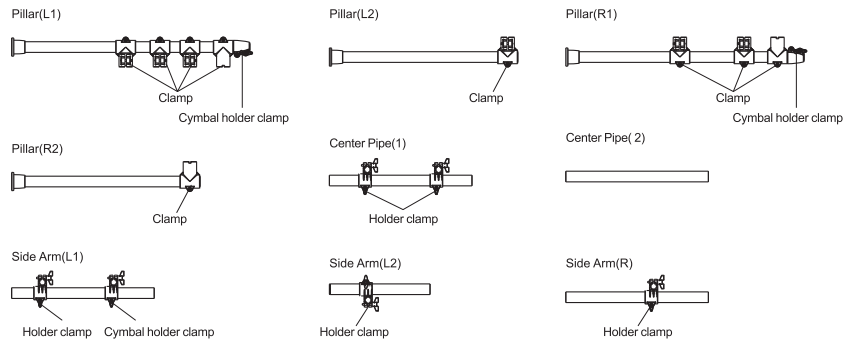


Beater



[DRUM MODULE] box

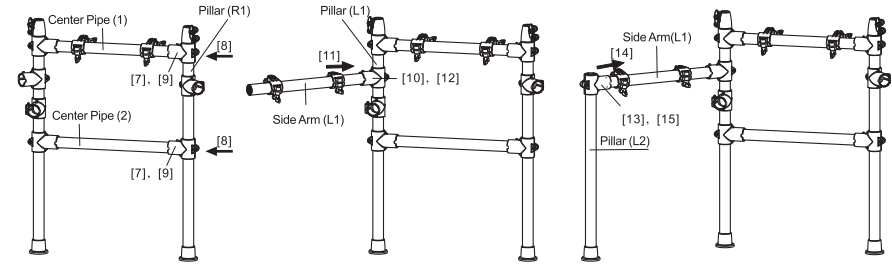
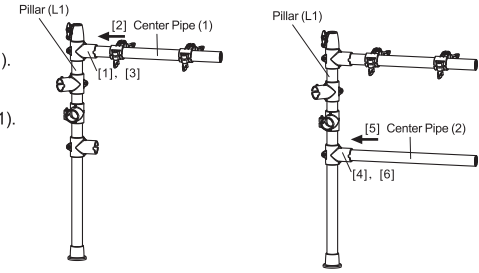
Drum Module



Assembly

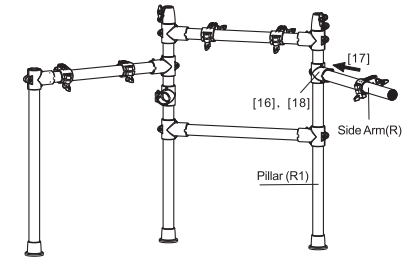
Setting up the frame of the digital drum set

- [1] Loosen wing nut on the clamp.
- [2] Attach Center Pipe (1) to the clamp on the Pillar(L1).
- [3] Tighten wing nut on the clamp.
- [4] Loosen wing nut on the clamp.
- [5] Attach Center Pipe (2) to the clamp on the Pillar(L1).
- [6] Tighten wing nut on the clamp.
- [7] Loosen wing nut on the clamp.
- [8] Attach the Pillar(R1) to the Center Pipe (1) and Center Pipe (2).
- [9] Tighten wing nut on the clamp.



- [10] Loosen wing nut on the clamp.
- [11] Attach the Side Arm (L1) to the clamp on the Pillar (L1) .
- [12] Tighten wing nut on the clamp.

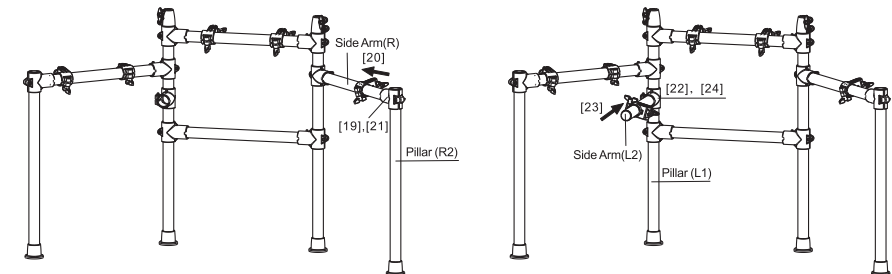
- [13] Loosen wing nut on the clamp.
- [14] Attach the Pillar (L2) to the Side Arm (L1) .
- [15] Tighten wing nut on the clamp.



- [16] Loosen wing nut on the clamp.
- [17] Attach the Side Arm (R) to the clamp on the Pillar (R1)
- [18] Tighten wing nut on the clamp.

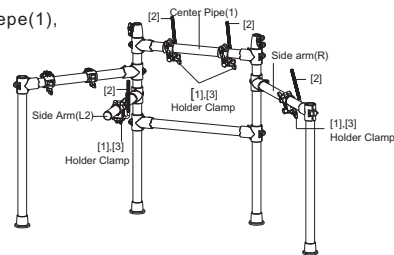
- [19] Loosen wing nut on the clamp.
- [20] Attach the Pillar (R2) to the clamp on the Side Arm (R) .
- [21] Tighten wing nut on the clamp.

- [22] Loosen wing nut on the screw on the clamp.
- [23] Attach the Side Arm (L2) to the clamp on the Pillar (L1).
- [24] Tighten wing nut on the clamp.



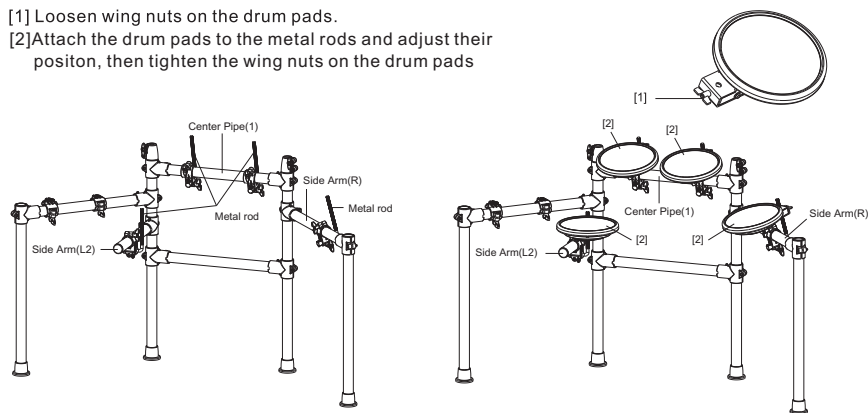
Attaching metal rod to rack

- [1] Loosen wing nut on the holder clamp, which is on the center pipe(1), side arm(L2) and side arm(R).
- [2] Attach Metal Rods to the holder clamp on center pipe(1), side arm(L2), side arm(R)
- [3] Tighten wing nut on the holder clamp



Attaching pads to rack

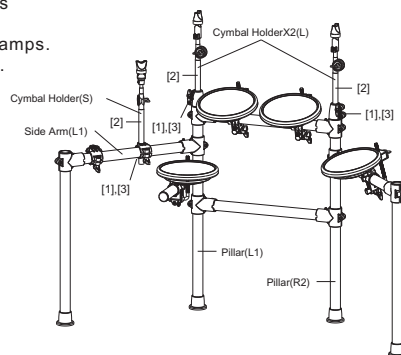
- [1] Loosen wing nuts on the drum pads.
- [2] Attach the drum pads to the metal rods and adjust their position, then tighten the wing nuts on the drum pads



Attaching cymbals

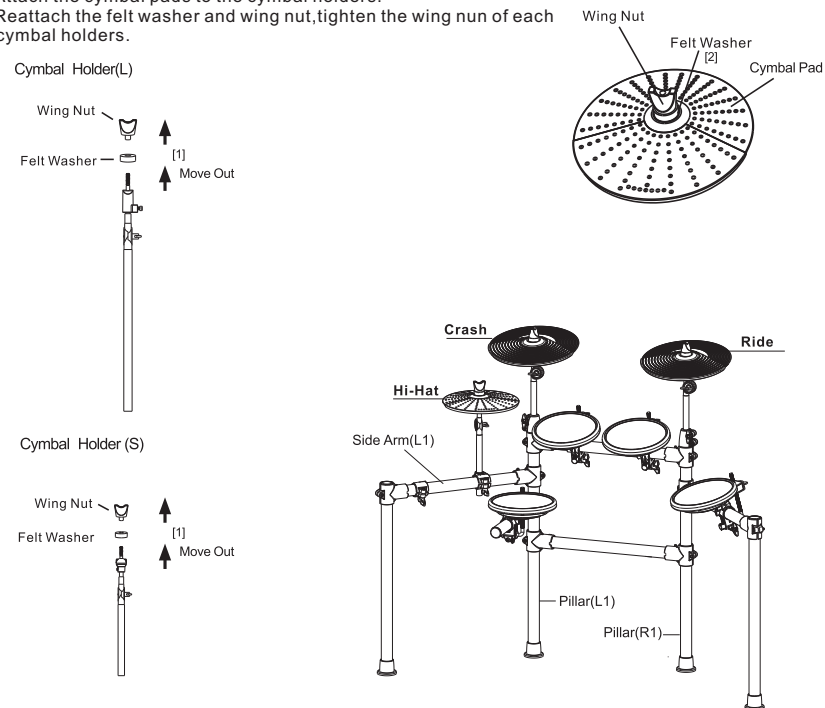
1. Attaching cymbal holders

- [1] Loosen the wing nuts on the Cymbal holder clamps on pillar (L1,R1) and side arm(L1).
- [2] Attach the Cymbal holders to the cymbal holder clamps.
- [3] Tighten the wing nuts on the cymbal holder clamps.



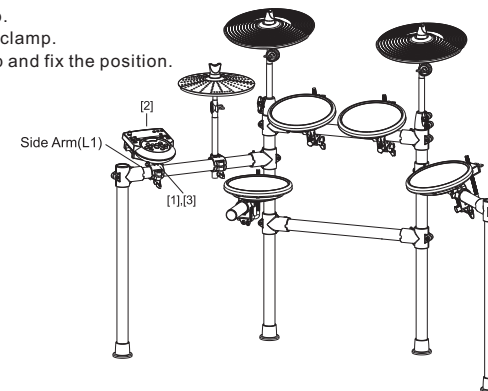
2. Attaching cymbals

- [1] Remove the wing nut and the felt washer of each cymbal holders.
- [2] Attach the cymbal pads to the cymbal holders.
- [3] Reattach the felt washer and wing nut, tighten the wing nut of each cymbal holders.



Attaching module

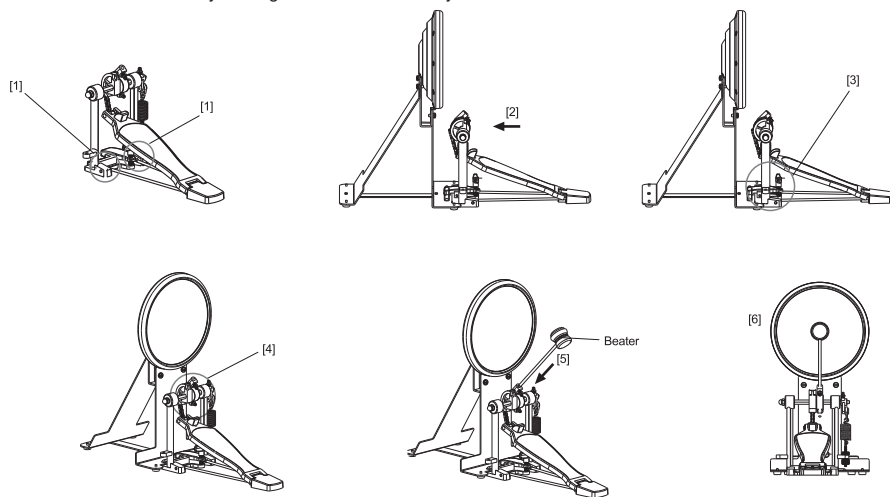
- [1] Loosen the wing nut on the clamp.
- [2] Attach the drum module onto the clamp.
- [3] Tighten the wing nut on the clamp and fix the position.



Attaching the Kick Trigger

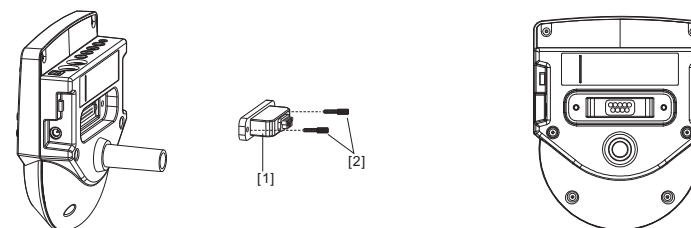
Attaching the Kick Trigger

- [1] Attach the Rod to the holders.
- [2] Attach the Kick Pedal to the Kick Pad.
- [3] Tighten the wing screw on the Kick Pedal.
- [4] Loosen the screw.
- [5] Attach the Beater to the Kick Pedal.
- [6] Position the Beater from the center of the pedal, use the drum key and tighten the screw firmly.



Connect the pads to the drum module

- [1] Connect the cable to the drum module
- [2] Use your fingers to tighten the handscerws to fasten it.
- [3] Each straightplugs is labeled indicating the inputjacks to which they are to be connected. Connect the straightplugs to the input jacks in accordance with the indication on each label.



Pedal /Bass drum pedal

- [1] Place the pedal on the floor on your left side.
- [2] Place the bass drum pedal on the floor in the center of rack.
- [3] Please connect the clearly marked cables from the pads to the correct inputs on the drum module, and you are ready to play!

